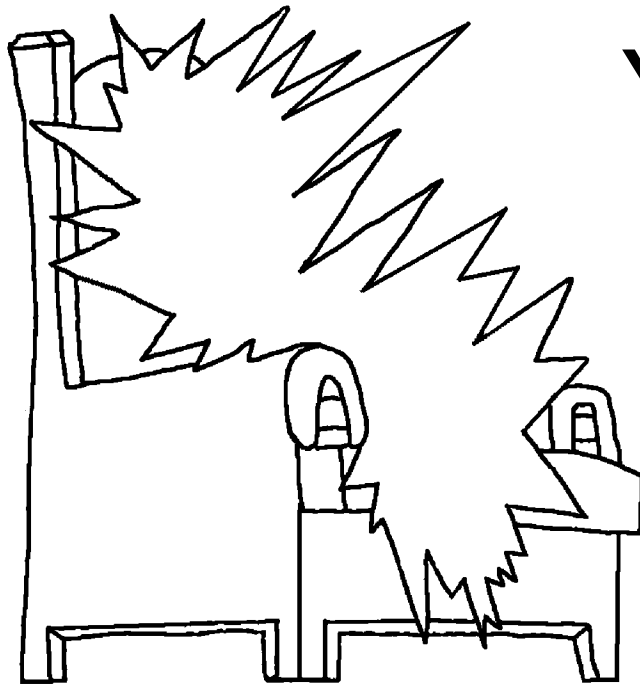


[www.BibleForChildren.org](http://www.BibleForChildren.org)



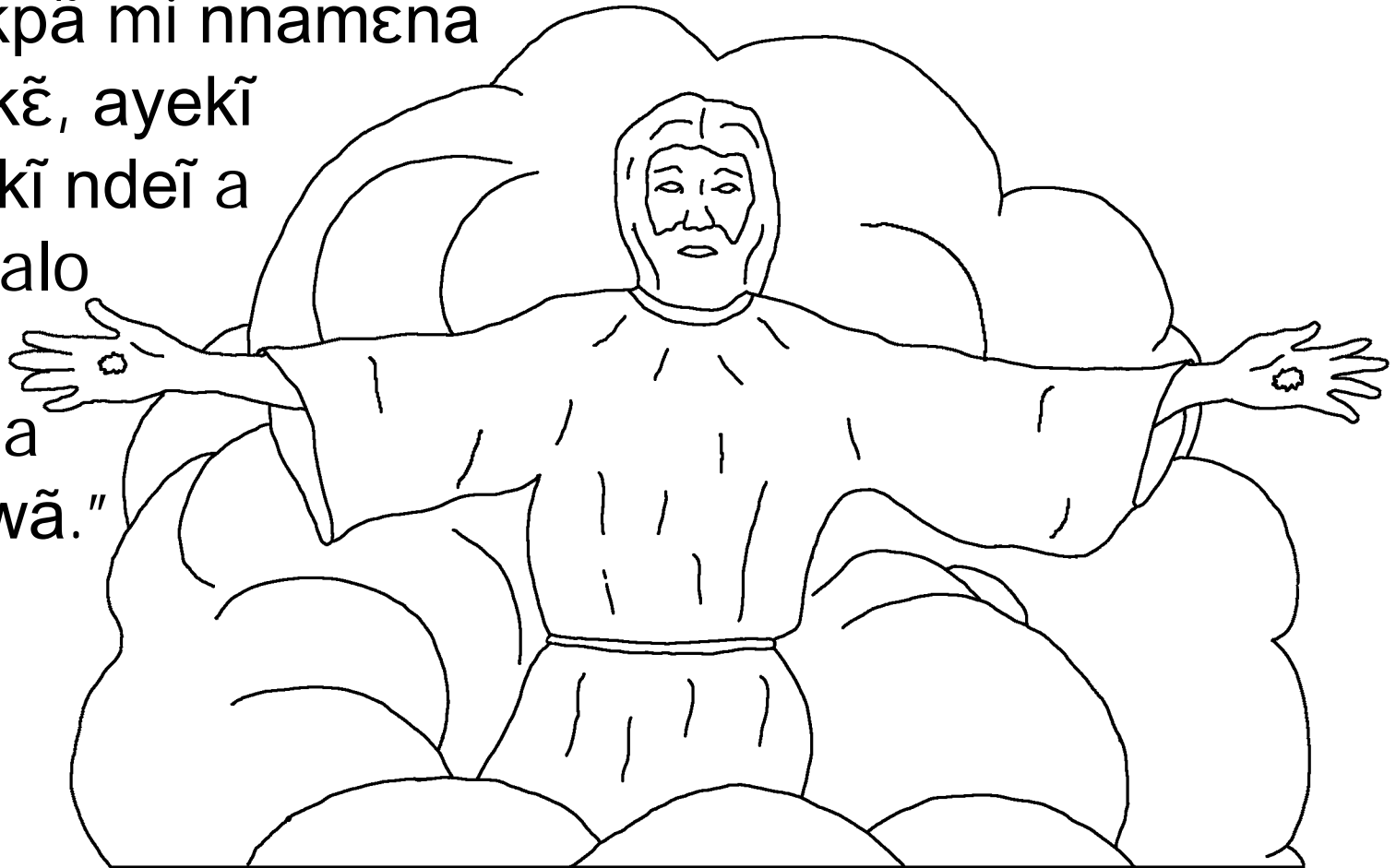
# YOHANES 14



Yesu bi be kī, "Mitafõ folɛtsa kī lɛha mi. Mite Baguma mido, mite yī malo mido. Fola beblebee deĩ ne Nda toto kame. Manaamane kako kadi ãyi mi. Nte folá lomo ni, kufe nláabi mi kī manaamane kadzikõ ãyi mi. Ade nte nnaa nnamane kadzikõ ãyi mi ãyua ni, maamuniki ãyaakpã mi nnamena

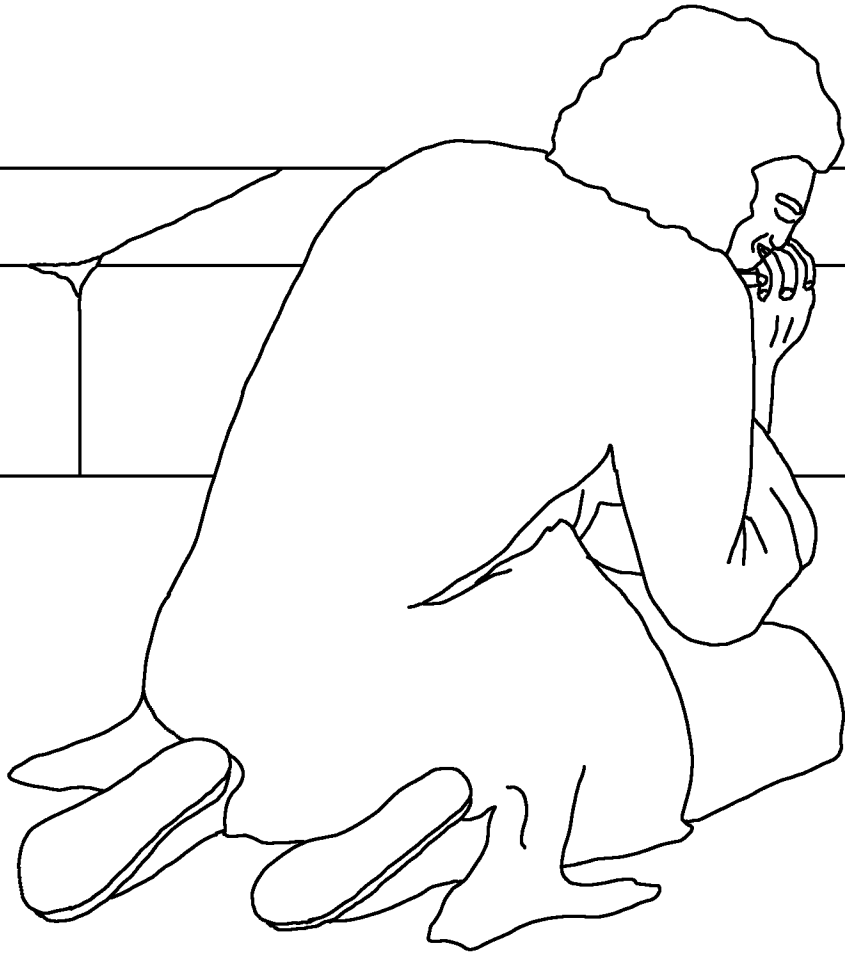
yī sɛkẽ, ayekĩ awã kī ndeĩ a mi malo

miana ne awã."



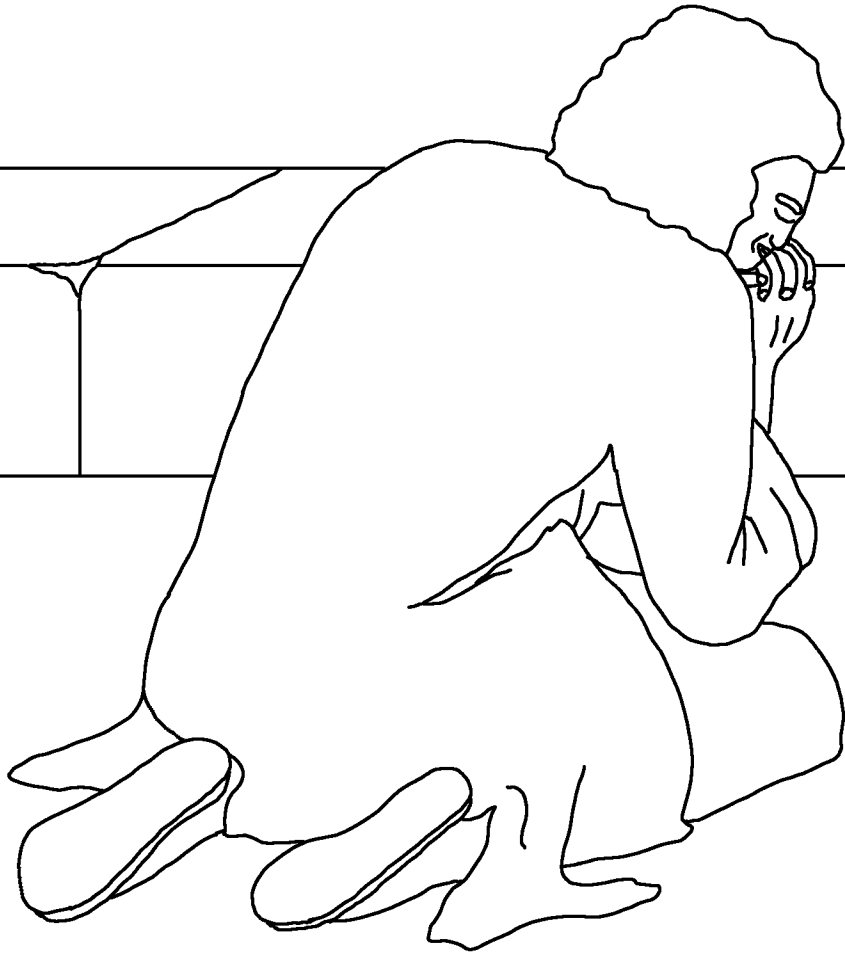
Yĩ, Yohanes, mi ɔwaẽ kĩ bɔmó mi bɔtsã butomena  
Yesu a, ãnye mi ɔkɔba kĩ bɔdɔla boe akũ, bɔmó  
lubo a kĩ laya kakpa bikĩ bɛnye ye ode

ɩgãkanyakõ bade a.

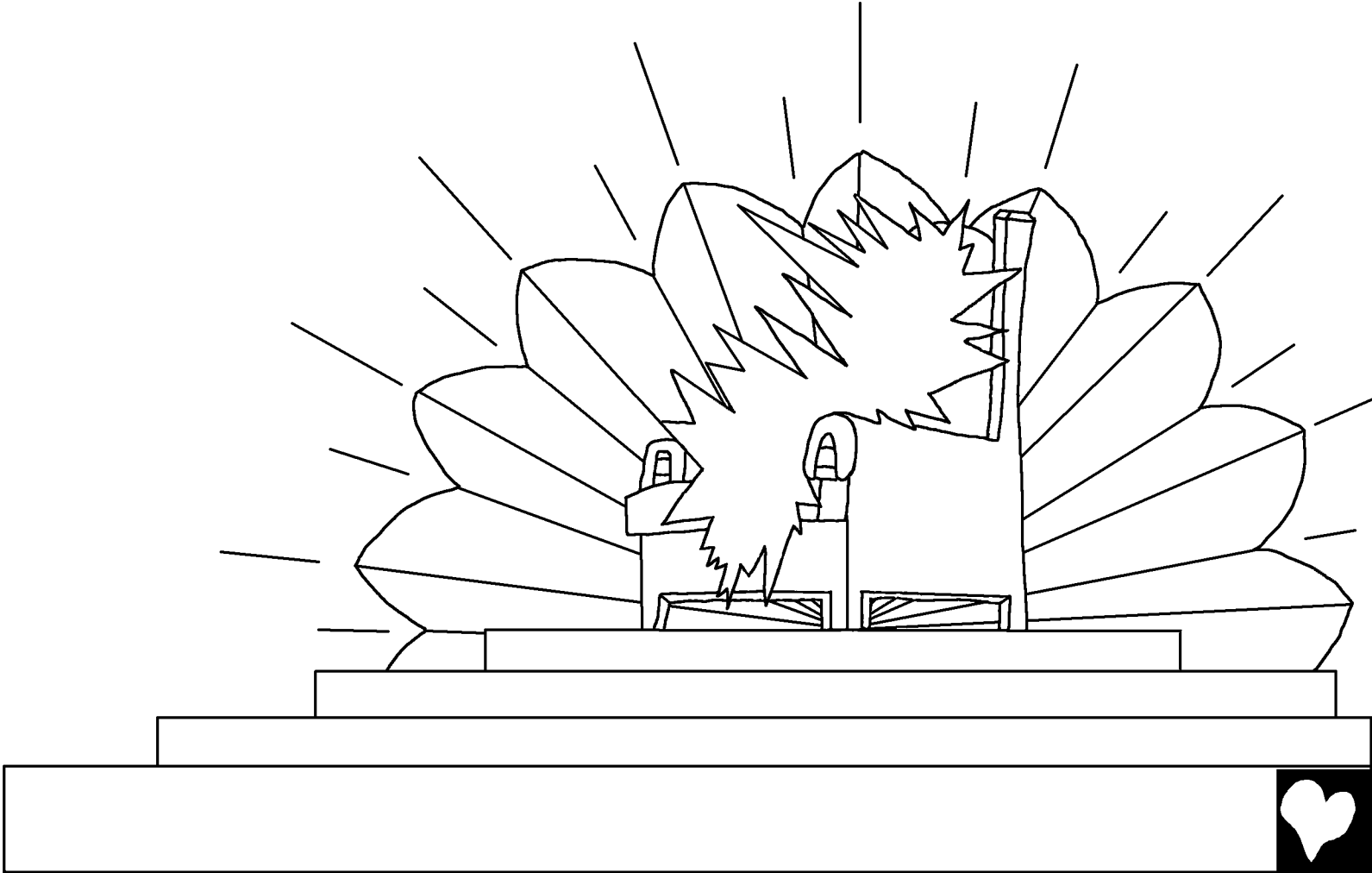


Βεκοα yĩ benadzina ne tite ne mui kayite a kĩ bave  
Patmos a akũ, kitonekĩ nde Ietsã ne Baguma kale  
a, mo onokwali a kĩ Yesu nye etsa a akũ

sũ.



Deedimɔape Hũhũ wo ne yĩ kame. Ne ode naa, mmó kĩ bike Iegãkpo lidi kĩ odi dzi ne de akũ.

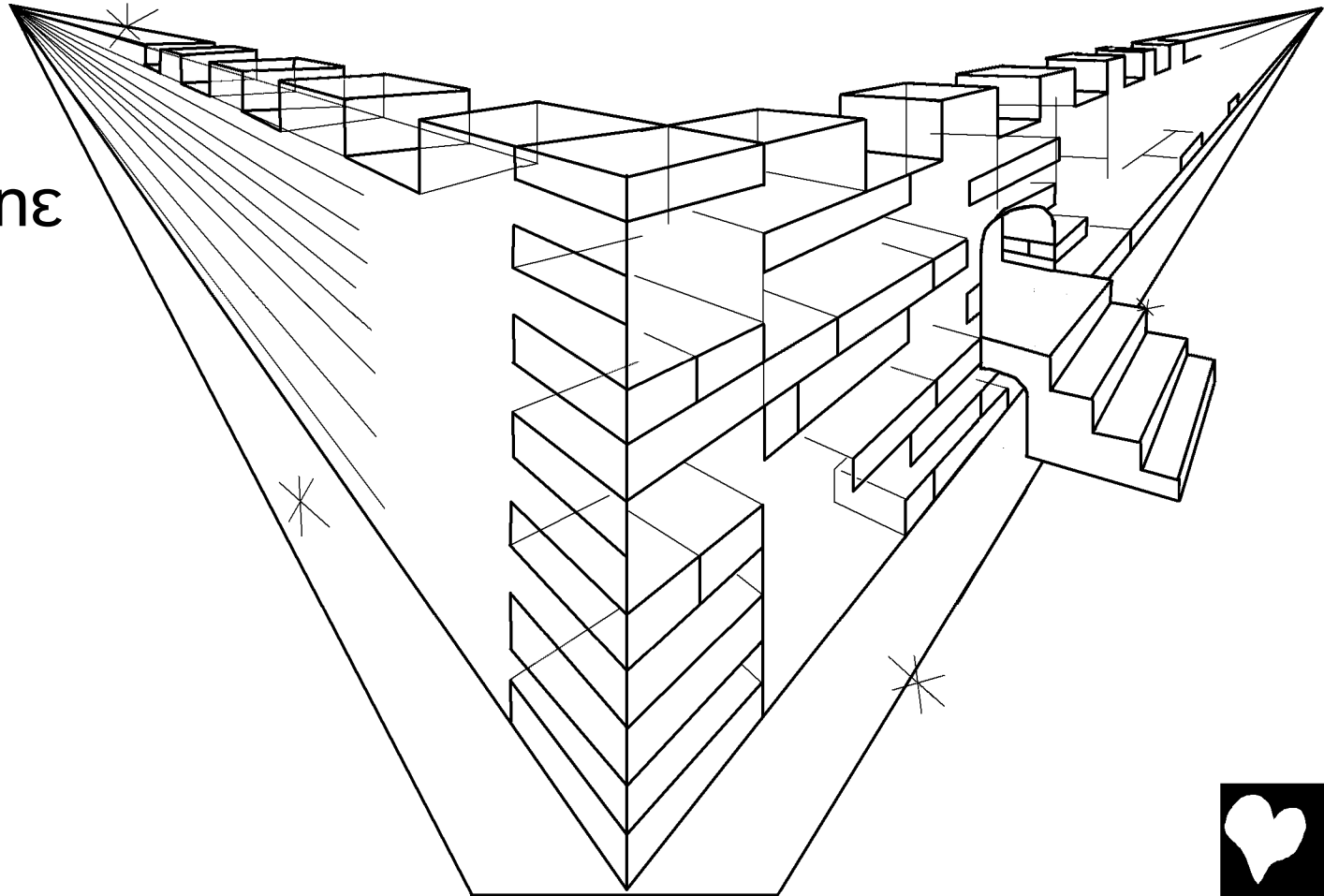


Adeke nnu kī lɛtsa nɛ lɛtsa a kī Baguma bɔa nɛ tite  
mɔ ode, mɔ tite ɔda, mɔ mpo kamɛ, mɔ fɔtsa a kī  
fudeĩ nɛ foe kamɛ a flee lamɛna  
ɔno kasã kī, "Kamu, mɔ obu, mɔ  
kukũkpale mɔ otumi fɔna daa  
fɔkpa, oti a kī edzi nɛ lɛgãkpo  
akũ a mɔ Kavelibi a!"

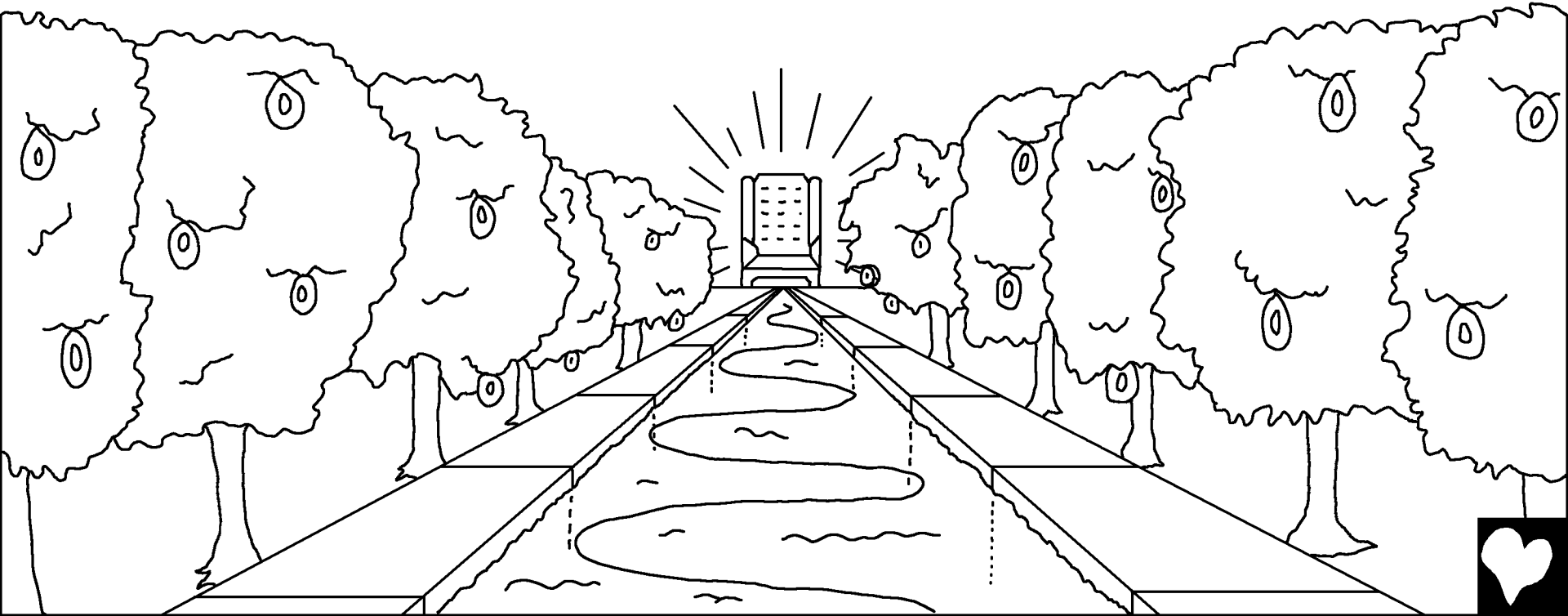


Ade mmó Ɔmato Kpalɛwa, Yerusalem vɔɛ a, kī eto ode ne Baguma sɛkɛ yaka. Bɛhɛhɛ ye nde obolitsõ kī bɛmanɛ bɛkra ɔnyɔ aye. Ade nnu odo kɔɔba kī ɛne eto lɛgãkpo a kame ɛɛ kī, "Finyaa kō Baguma kadzikō deĩ ne batidziwa kayite! Yaadzi ne be sɛkɛ, ade baanya ye bati a.

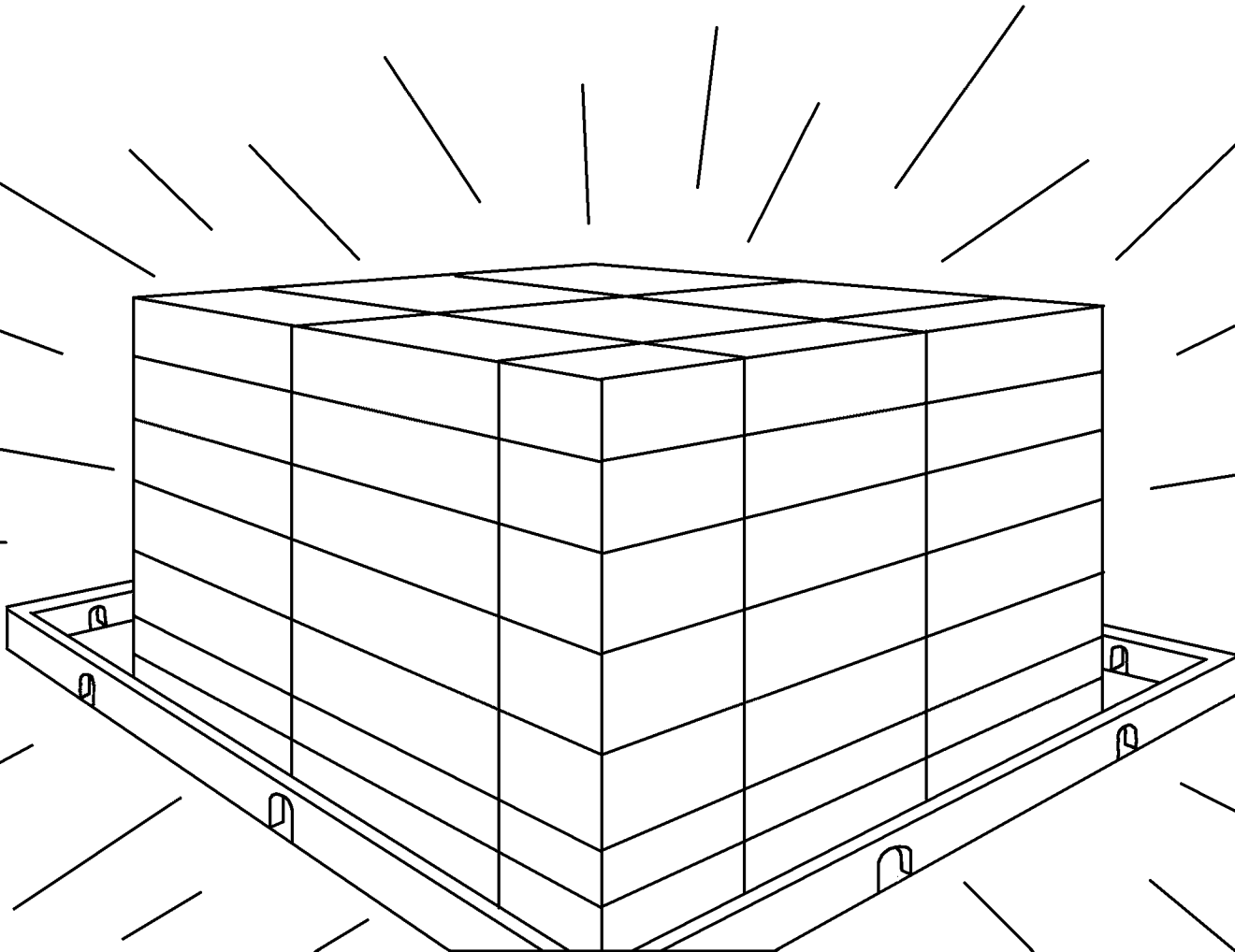
Baguma mɔawɛ aadzi ne be kame, ade yaanya be Baguma a."



Ke liti a, ode foto onyane a tsa yĩ nkpã ɔwɔ kī ye mui akpa nkpã. Ye mui a kame kpale nde ahuhɔe aye, ade bekanɛ kato Baguma mɔ Kavelibi a Iegãkpo a kame, ade batẽ ne ɔmato a ɔblonu kayite a.



Omato a tāsī suwa kī seta ñye odeto kī ενολε νε ye kame,  
kitonεkī Baguma kukũkpale nyé ye ohaĩ ade Kavelibi a  
leme nyé ye osedza a.



Λεμε Ιετσα α κῖ δε ακῦ τάκπαε Ιιδιμα Ιελάαω νε οματο  
α καμε. Ade odi nye odi κῖ yakena fonyoãtsa ἴye εννε  
ονãενã λεμε Ιελάαω νε awã,  
mboente bati α κῖ betsele be  
buĩ bido νε Kavelibi α nkpã  
onoli α καμε ααω νε  
οματο α καμε.



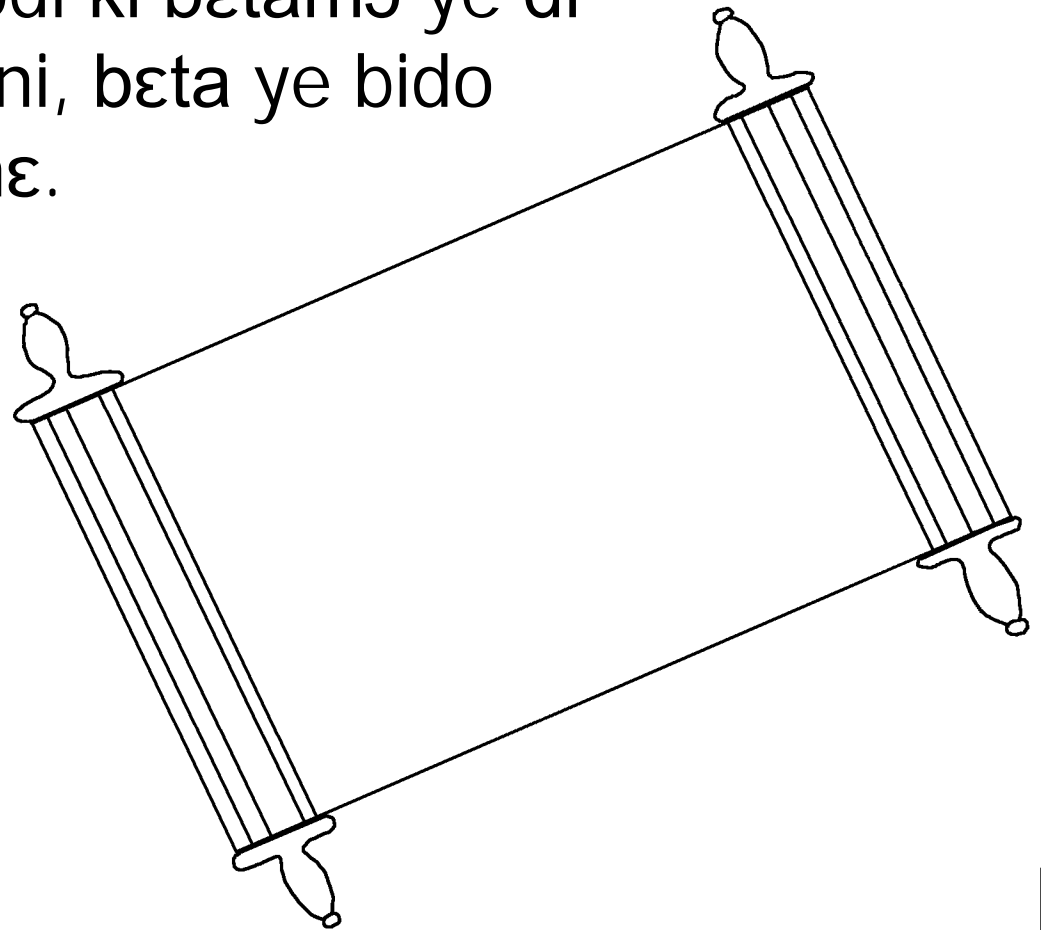
“Yaaɔ enye babe ne be aɛ  
kaɛ. Wuda Iɛlɛabuki ɛna. Ade  
aya ayaɔloho, kabe mo kaɔɛ  
Iɛlɛabuki fɔna a, kitonɛkĩ kɔkɔɛ  
fɔtsa a yatẽ.”



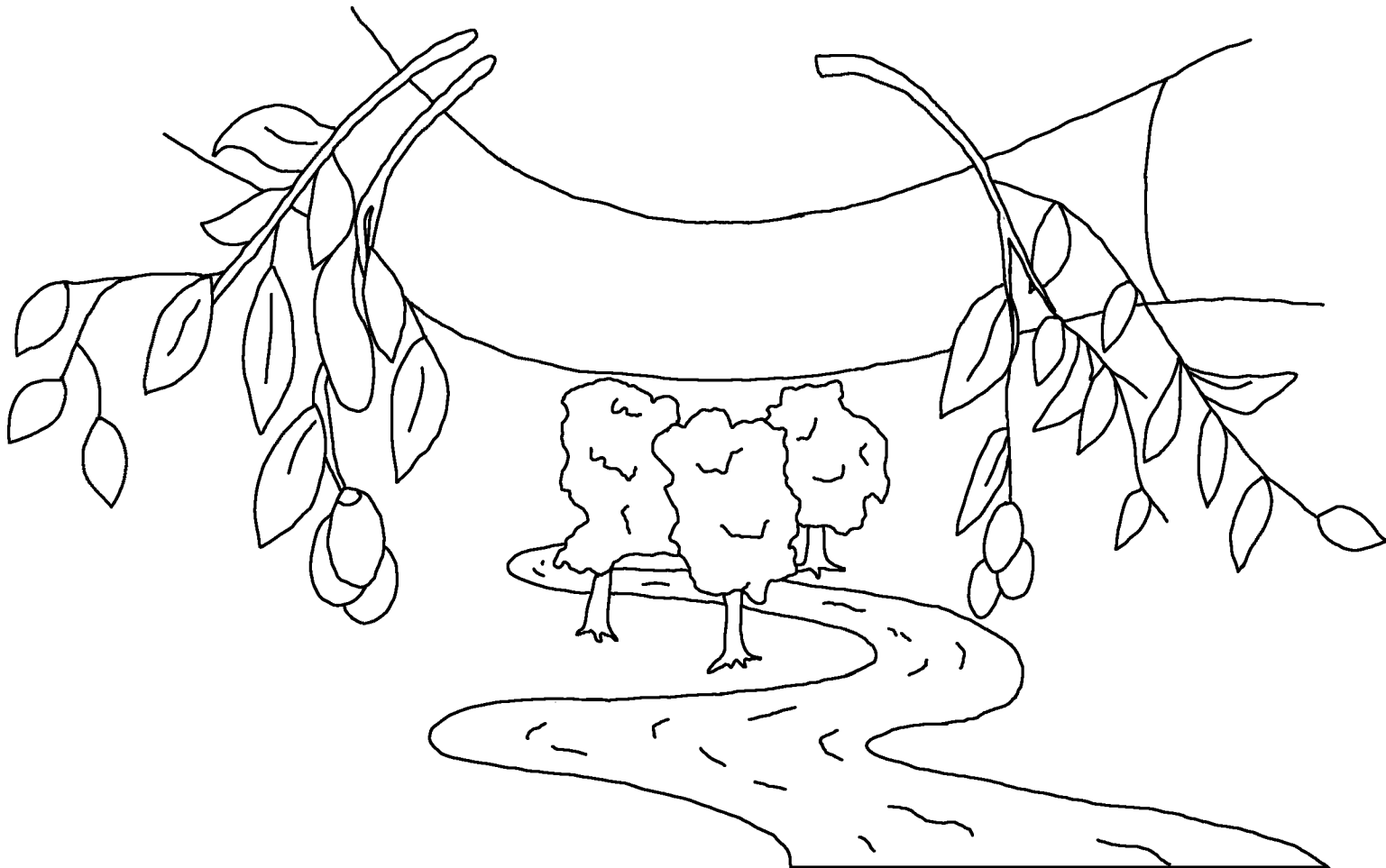
Βελάabuki βεμό Ιετσα α κῖ Βαguma dumu lidima νε  
οματο α καμε. Βαguma μο Κavelibi α Ιεgãκρο αana νε  
οματο α καμε ade ye basumune aasum ye α. Βαamo  
ye ανε ade ye dῖ aana νε be nnye α.



Ade mmó banokpa, banokwē mọ babisē kī bedzē ne  
legākpo a ane a. Bibinya tuvoli biyi, ade bibinya ovoli  
bebã odi leme kī enye nkpã ovoli a. Bedzemo banokpa  
ne be fokelatsa onukpē nde ayekī betsele biyi ne tuvoli a  
kame a. Ade odi nye odi kī betámo ye dī  
ne nkpã ovoli a kame ni, beta ye bido  
ne fi lutubu baũ a kame.



Hũhũ a mɔ Obolitsõ a lɛ kĩ, "Ya!" Odi nyɛ odi kĩ enu fukĩ ni, ɛlɛ kĩ, "Ya!" Odi nyɛ odi kĩ ɔmɔado akɔ ye ni, ɛya. Odi nyɛ odi kĩ yawɛ nkpã mui ni, ɛyaatɛ be faa.



Kitonεkĩ Baguma ti εως katinya  
kaλε paa kĩ εkωa ye Obi mωape a  
εkpa kĩ odi nye odi kĩ ετε ye edo  
Iεláaku εωω, mbom yaana nkpaĩ kĩ  
εla kawũna a.



ROMAFƆ 3:23 Kitonẽkĩ odi nye odi kenã tãkpa, ade edeĩ  
mã lugo ne Baguma kukũkpale a õwẽ a.

ROMAFƆ 6:23 Kitonẽkĩ tãkpa kãtãkase nye wuda, Ìeme  
Baguma futetsa faa nye nkpã kĩ elã kawũna a, ne õmã  
kakena mã boe Ɔlate Kristo Yesu kame.

HEBRIFƆ 9:27 Baguma hihie kĩ otidziwa eku deedimãare,  
ade ne wuda liti a, yaadzemo ye.

EFESOFƆ 2:8,9 Baguma semekale odi, mã mi katẽkado  
akũ fãtsã sũ mina kate. Nnẽ mi mãawe mbodi kabãa kame  
futo, mbom Baguma futetsa fãare kĩ odima Ìelãapuli  
ekãa foe epia.



ROMAFƆ 10:9,10 Nte ɔkɔa onukpɛ ɔle kɔ̃ Yesu nye boe  
Ɔlate, mɔ ɔte odo ne no ɔwɔle kame kɔ̃ Baguma dzela ye  
etomena banɔkra kame ni, Baguma aakra no nkpã.  
Kitonɛkɔ̃ ɔwɔle bakɔa kate kado kana kadzi kpɔ̃, ade onukpɛ  
bakɔa kanye foe kanya mɔ Baguma akpa boe nkpã.

YOHANES 3:16,17 "Kitonɛkɔ̃ Baguma ti ewe katinya kale  
paa kɔ̃ ekɔa ye Obi mɔape a ekpa kɔ̃ odi nye odi kɔ̃ ete ye  
edo Ieláaku ewɔ, mbom yaana nkpã kɔ̃ ela kawũna a.  
Kitonɛkɔ̃ Baguma tádo ye Obi kɔ̃ eyaako katinya kame bati  
kɔto, mbom kɔ̃ fɔtsã ye akũ bati bɛna kate."



1 YOHANES 5:11-13 Adansie kadi a nye kĩ, Baguma kra boe nkpã kĩ ελά kawũna a, ade nkpã kĩĩ Ιεμε deĩ ne ye Obi kamε a. Odi nye odi kĩ edeĩ Baguma Obi a ni, edeĩ nkpã kĩĩ. Ade aye odi nye odi kĩ ελά Obi a ni, ελά nkpã kĩĩ. Ntsεε ovoli kĩĩ mama mi a kĩ mite Baguma Obi a mido, ayekĩ míanyi kĩ mideĩ nkpã kĩ εla kawũna a.



YOHANES 14; 1 KORINTOFƆ 5; KANYE KATSA  
4, 21, 22

Storyline by: Edward D. Hughes

Illustrated by: Lazarus  
and Alastair Paterson

Adapted by: Sarah S.

Tuwuli NT (bov) © 2008, Wycliffe Bible Translators, Inc. All  
rights reserved.

<https://live.bible.is/bible/BOVWBT/MAT/1>

©2025 Bible for Children, Inc.

[www.M1914.org](http://www.M1914.org)

[www.bibleforchildren.org](http://www.bibleforchildren.org)

