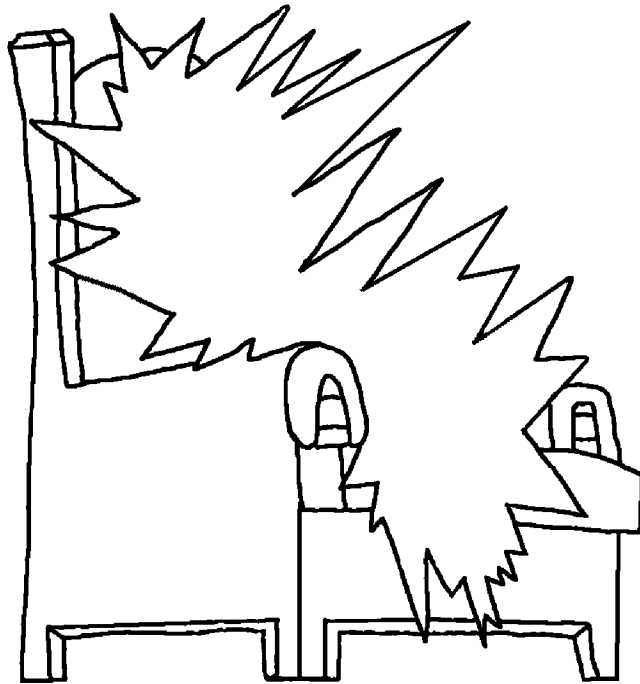
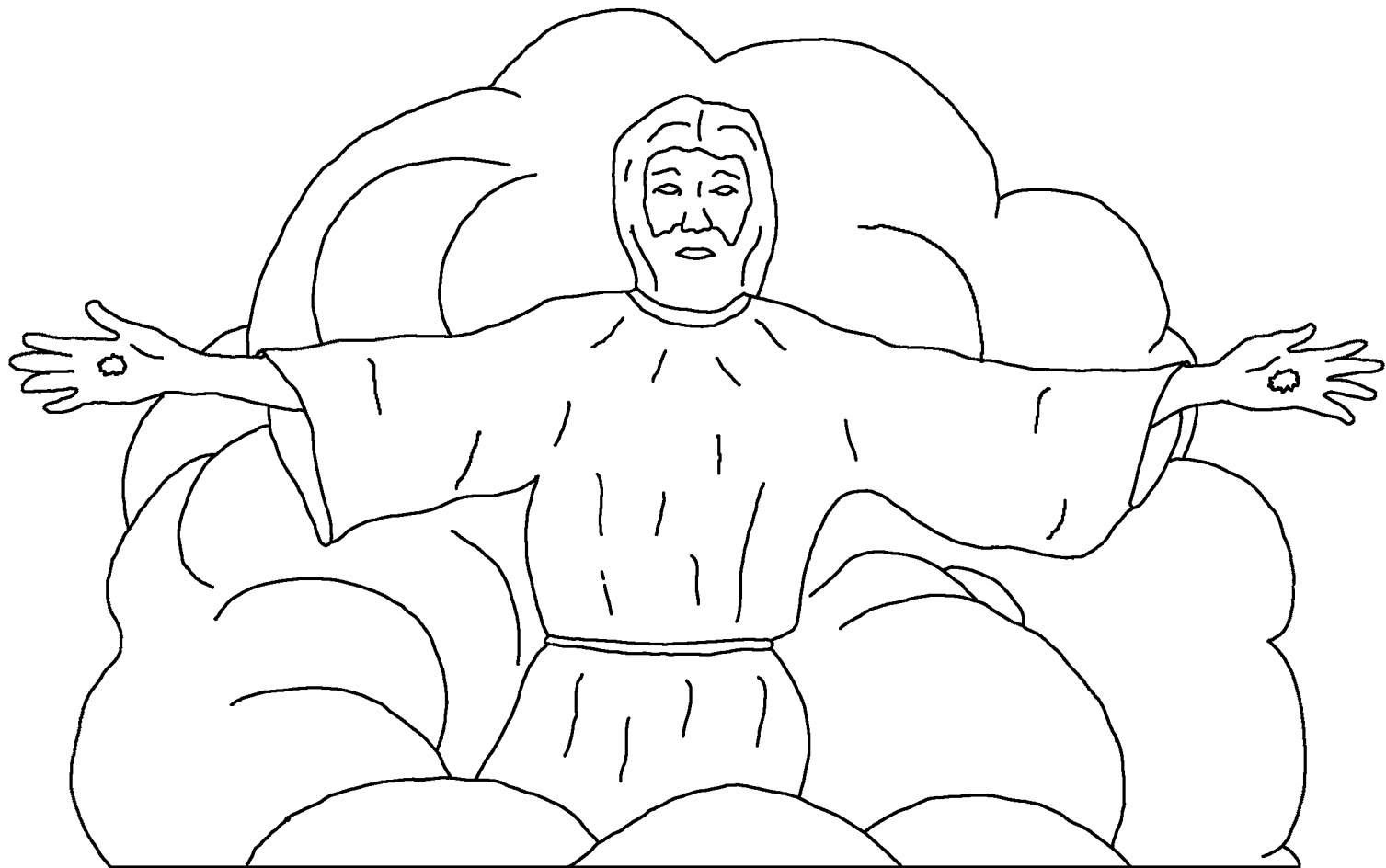


www.BibleForChildren.org

San Juan 14



C'jara' xbij chic chca: —Me tyojtaj ta ewanm,
teyke'a ec'u'x ruq'uin Dios y wq'uin anen chka'.
Pruchoch Nedta' congan q'uivy je' lwar tzra', per che
mquita cara' mquita xenbij chewa. Anen quenba
camic cnechumsaj jun elwar.

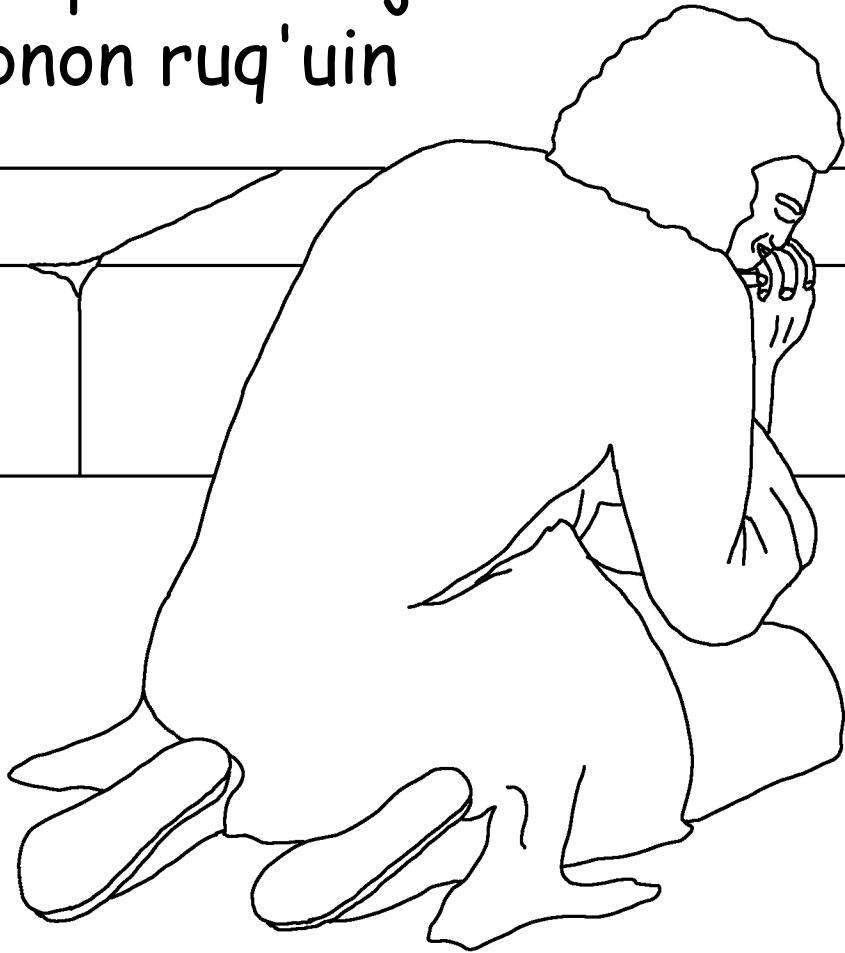


Ajni' xenbij chewa, quenba cnechumsaj elwar per
quenmloj pchic jmul quixenrec'ma' kaja ch-utz c'ara'
nquixec'je'a wq'uin. Cara' quenban ch-utz c'ara'
abar xtenc'je' wa' anen tzra' nquixec'je' wa' ixix
chka'.



Anen en Juan en ewch'alal. Anen en ewexbil che
rtijic lowlo', en ewexbil chpam gobierno rxin
Dios, y chka' en ewexbil che rcoch'ic

je njelal npeta chkij rmal
xjun kabnon ruq'uin

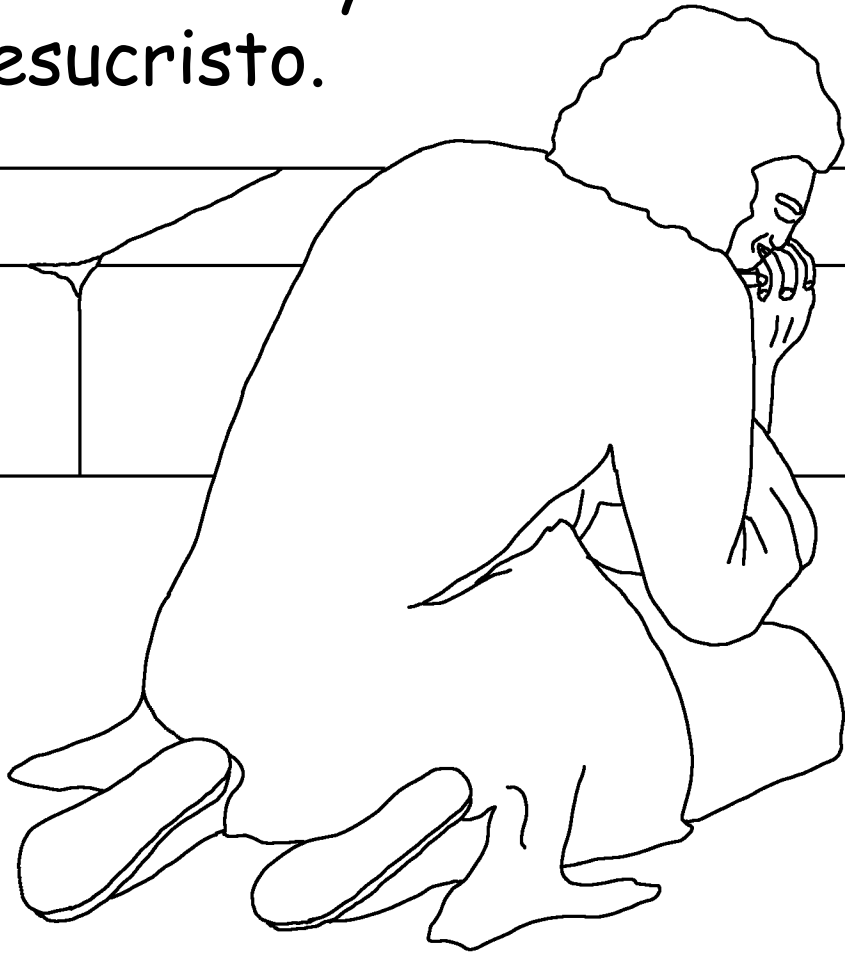


Jesucristo.

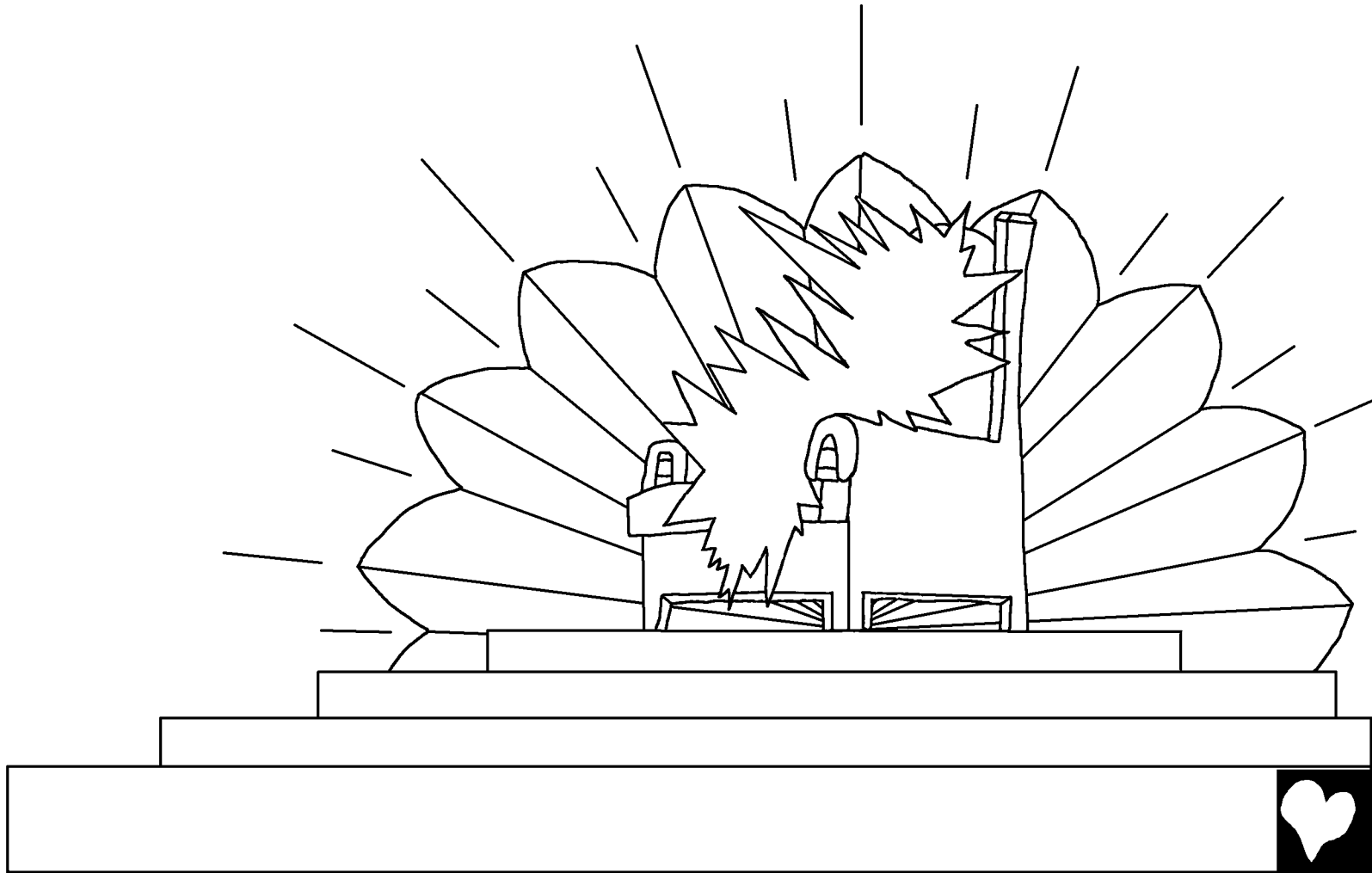


Tak xk'alsasa chenwech jxentz'ibaj chewa ra
jara' tak xenc'je'a chpam lwar Patmos jc'ola
pmar. Rmal rtzojbal Dios tak xenc'je'a

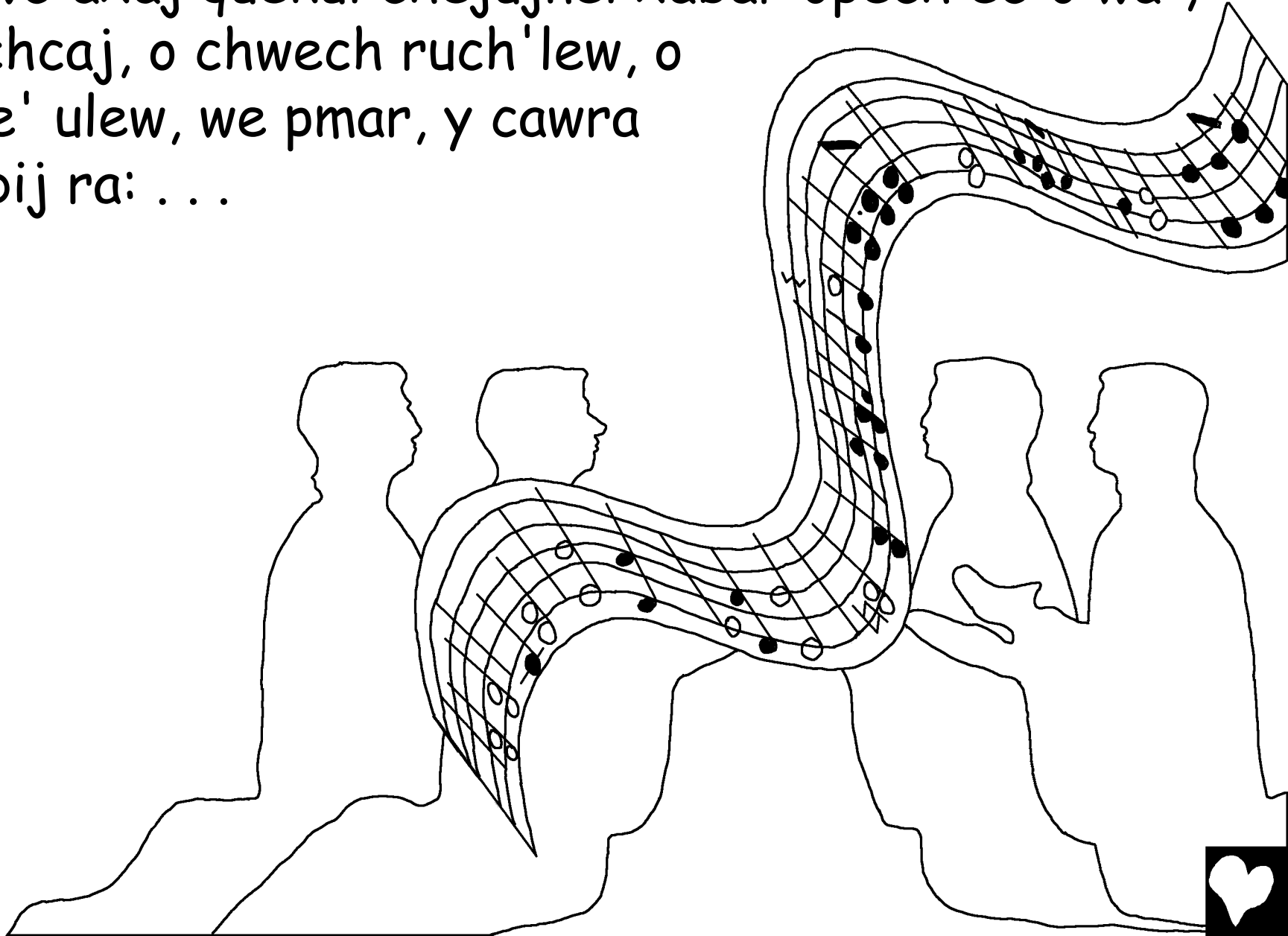
chpam jawra lwar y rmal
rbixic Jesucristo.



C'jara' xenna' xenc'je'a pruk'a' Espíritu Santo
y xentz'et jun trono chumin chcaj y c'ola jun
tz'bula chpam.



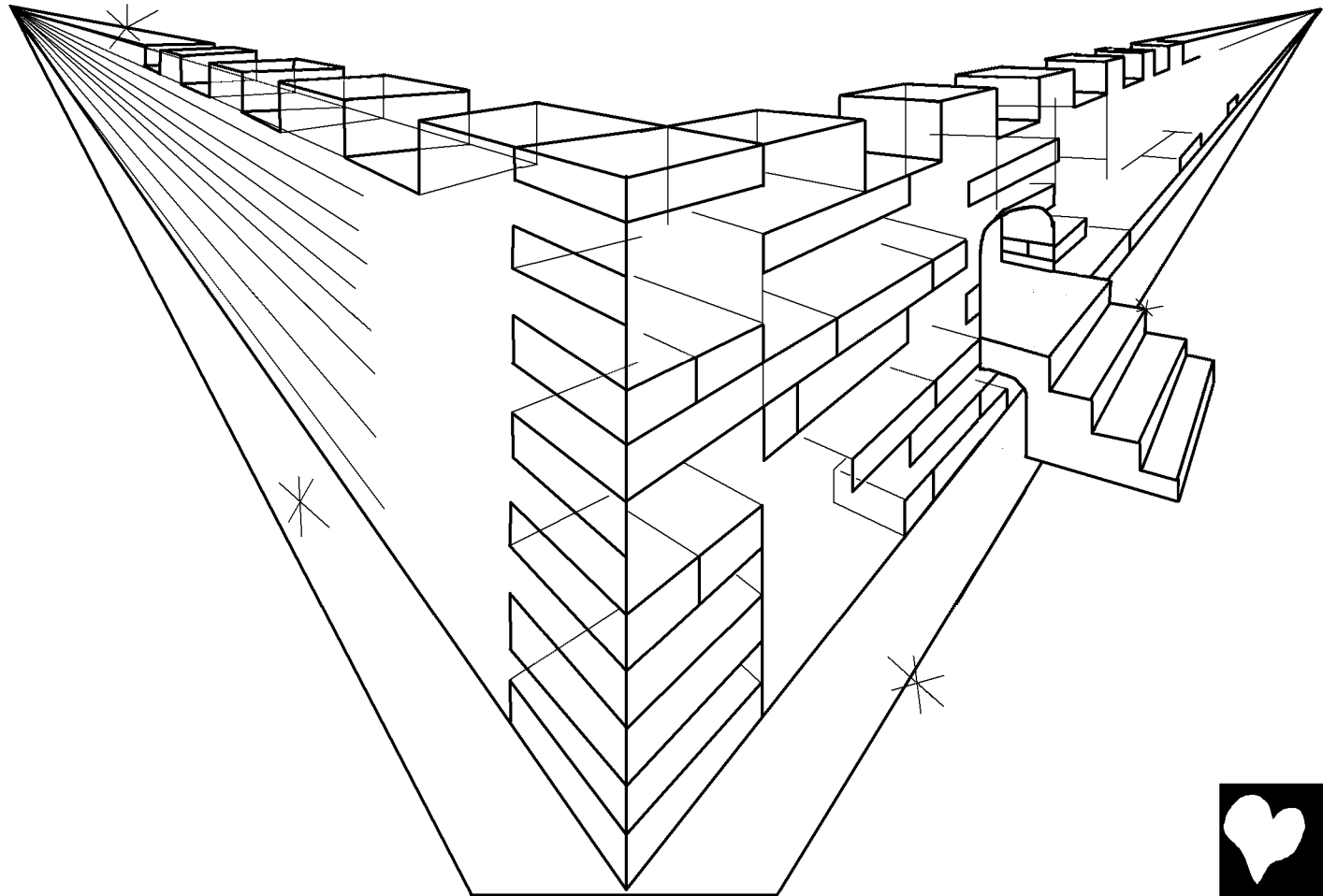
Y c'c'o na xenwc'axaj. Njela! jwankersan rmal Dios
xenwc'axaj quekul chejijnel xabar opech ec'o wa',
we chcaj, o chwech ruch'lew, o
xuxe' ulew, we pmar, y cawra
necbij ra: . . .



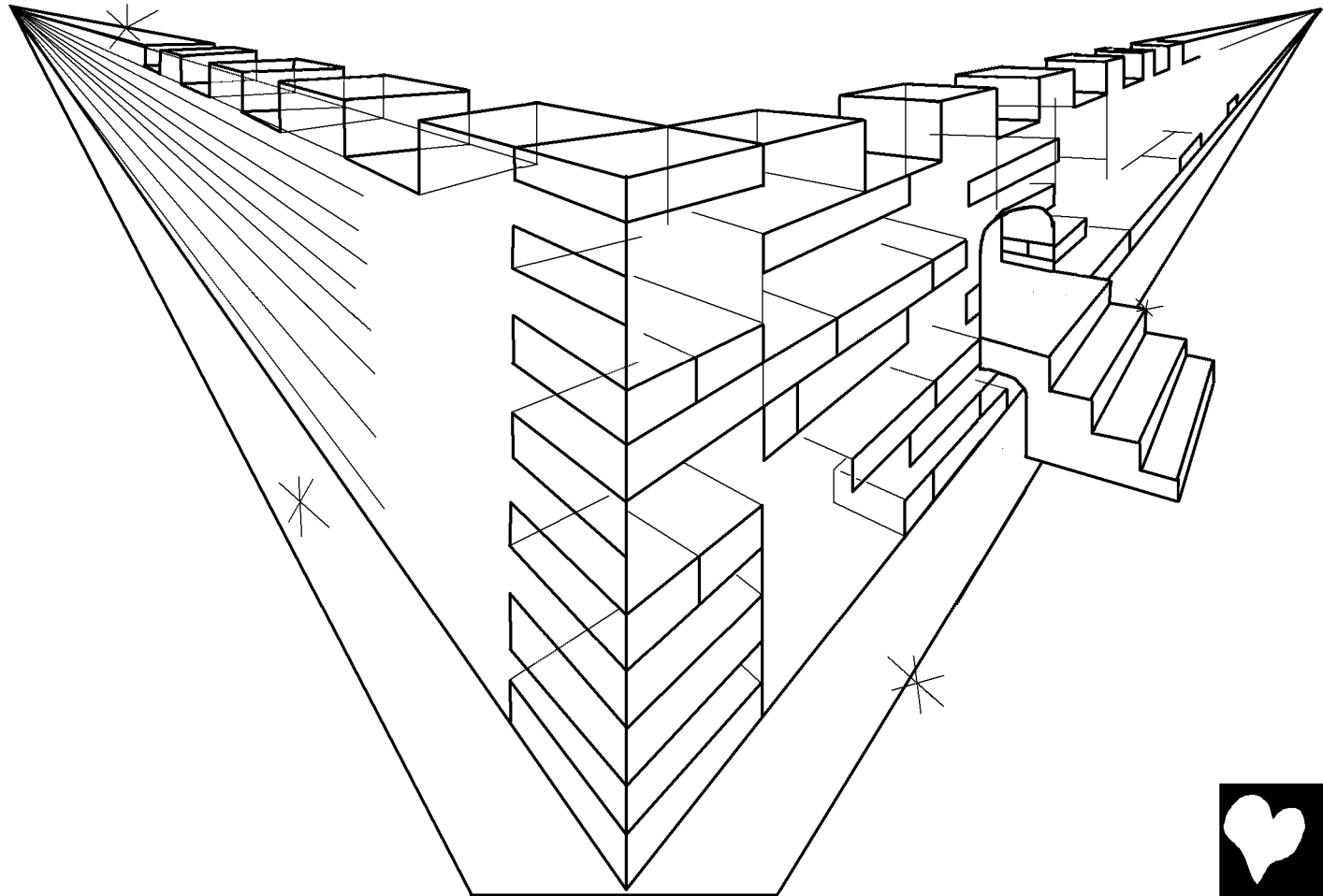
... —Je tz'bula chpam trono ruq'uin Carne'l,
njunlic xtbix ta chca je' utzljaj tak tzij, junlic
xteba'n ta respetar, junlic xtya'a
ta quek'ij y junlic ta xtnataxa
che ajni'la nim cchuk'a'. Ncara'
ta xtba'na chca camic y rxin
junlic chpam je' tiemp rxin je'
tiemp, cara'
necbij.



Anen en Juan xentz'et santlaj retnamet Dios, jara' jc'ac' Jerusalén y ntajina nkaj ta chcaj, ruq'uin Dios penak wa' y congan rwekon ri', ajni' nuban jun xten tak nec'le'a arja' congan nuwek ri' ch-utz c'ara' chrechjil nquicota tzrij.



C'ol c'a jun kul xenwc'axaj penak chcaj congan nim rukul y cawra nbij ra: —Camic je Dios ne chquecjol wnak nec'je' chwa'. Arja' nec'je'a cuq'uin y arj-e' ne rtnamet wa'. Dios mism nec'je'a cuq'uin, arja' Dios cxin.



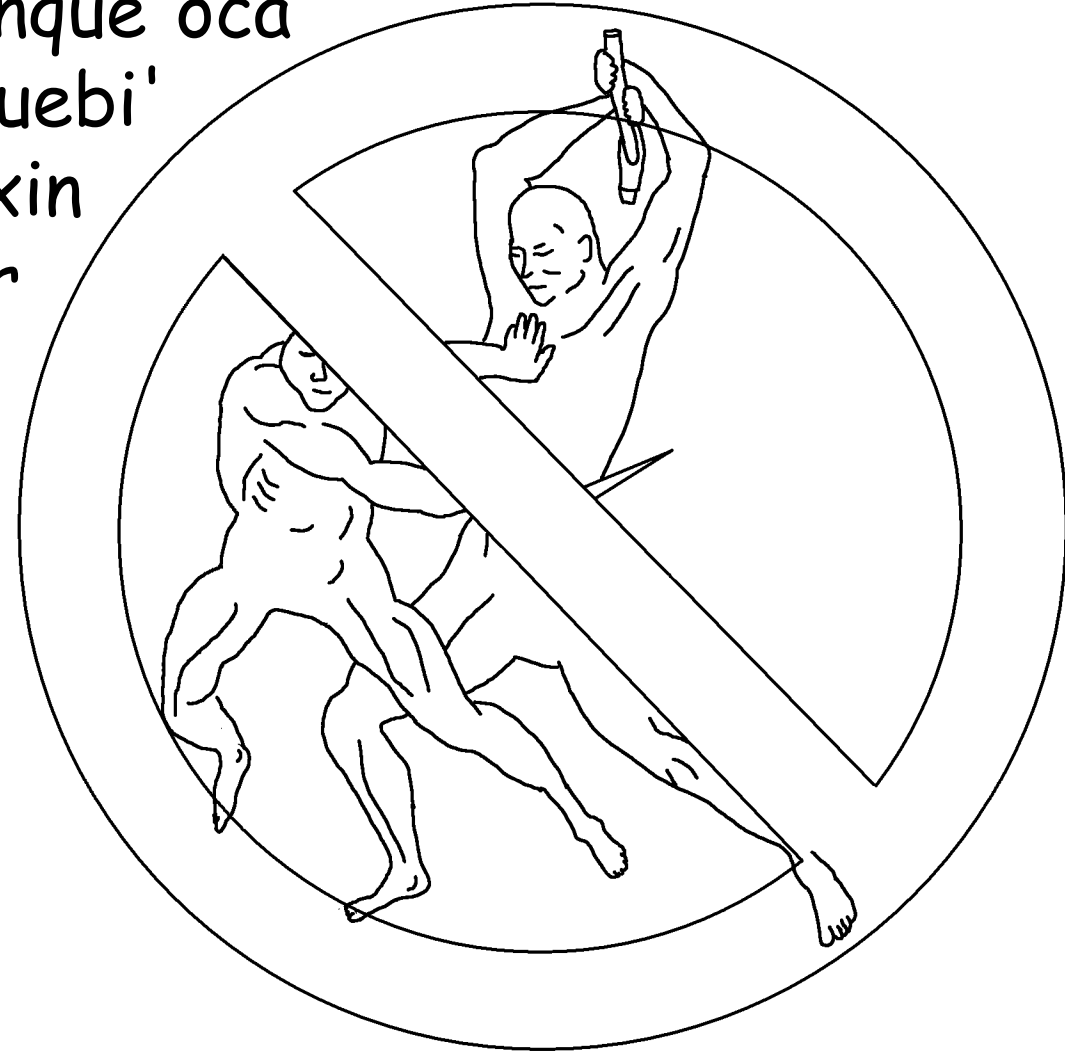
C'jara' c'ola jun binelya' xuc'ut chenwech, jara' ya'
rec'mon ta utzljaj c'aslemal rxin Dios je rxin junlic.
Jya' congan ch'ajch'oj, ncatecwina ncatca'y ela
chpam, puro cristal. Je lwar abar nel twa' rkan ya'
tzra' nel twa' abar c'o wa' retronno Dios y rxin
Carne'l.



Je tnamet majo'n nc'atzin ta k'ij tzra nexte ic'
chka' je xtyow ta rxin psak, com nimlaj gloria rxin
Dios jara' nyowa rxin psak y Carne'l jara' ocnak luz
rxin.



Per nmajo'n achnak ta itzel xtoc ta chpam. Je bnoy
rtzilal e quexbil e tz'koy tak tzij nmajo'n chca
xtque'oc ta chpam. Je nque'oca
chpam xqueyon jc'ola quebi'
tz'ibtala chpam libro rxin
Carne'l, jara' libro abar
tz'ibtal wa' quebi' je
nyataja chca utzlaj
c'aslemal je rxin junlic.



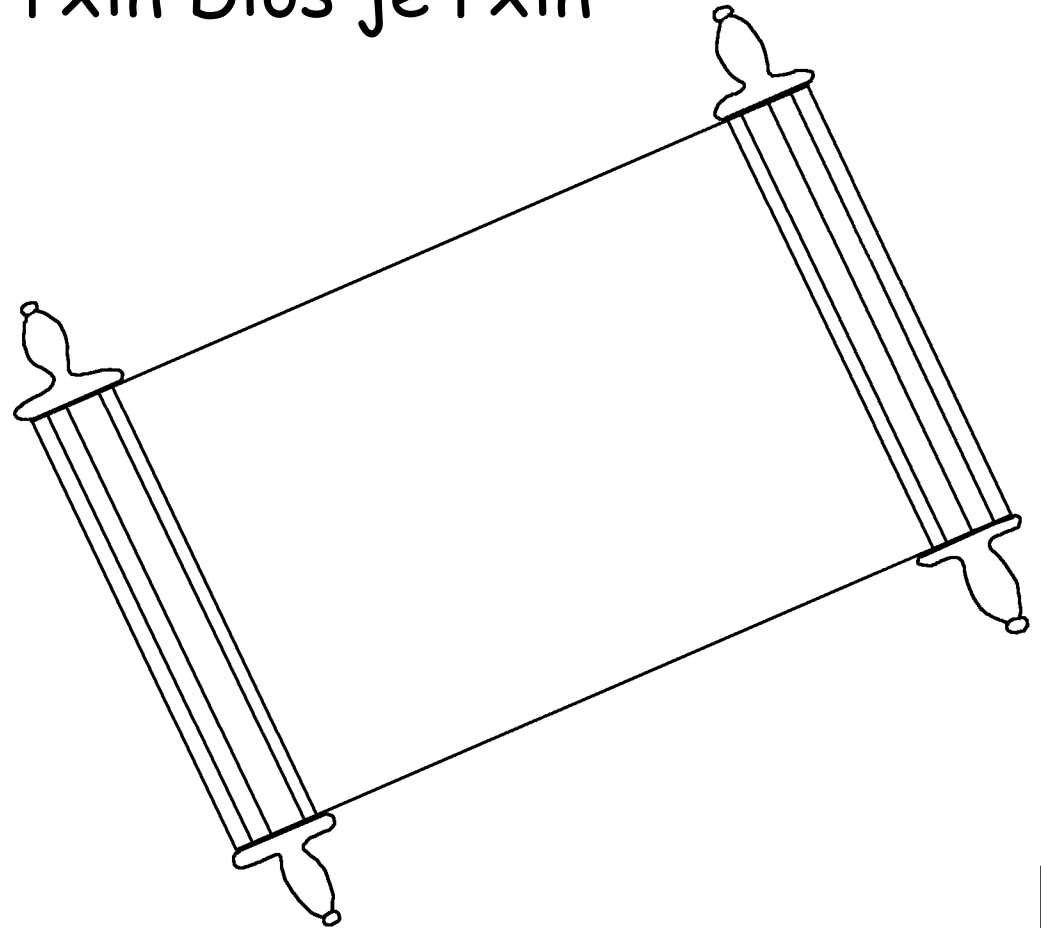
Arja' nusu' njelal ri'al
quewech, majo'n chic cmic,
nexte bis, nexte ok'ej, nexte
je' lowlo' chka', com njelal
achnak je xlowlo' rec'mon ta
jara' majo'n chic, xk'ax cana,
cara' nbij.



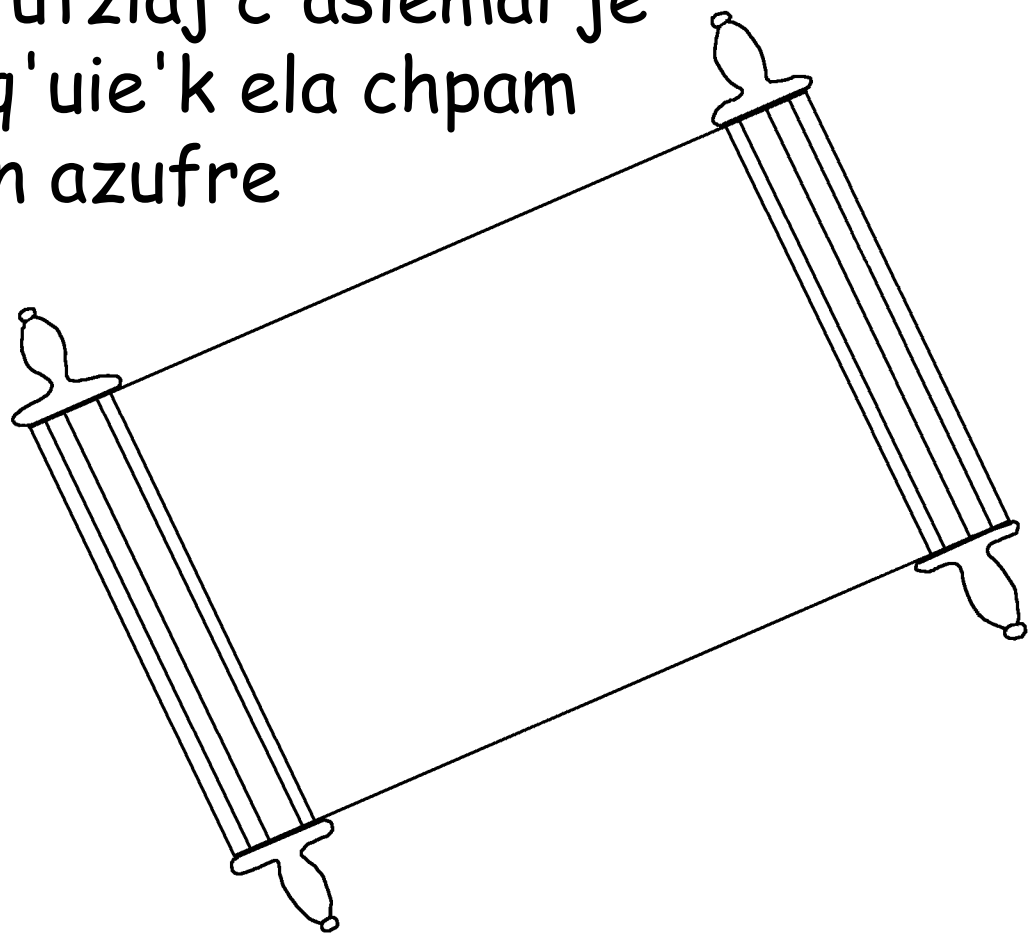
Tzra' majo'n chic achnak jxitzel ntz'e'ta rmal Dios.
Jretrono Dios y rxin Carne'l jara' nec'je'a chpam
tnamet y je ajsmajma' rxin Dios arj-e' nqueya' na
ruk'ij Dios. Arj-e' nquetz'et na rwech Dios y jrubi'
chqueplaj nec'je' wa'.



C'jara' xenutz'et cnomki' che nmak quek'ij y jme
nmak ta quek'ij, arj-e' epa'l oca chwech Dios y c'ola
jle' libro xjaktaja. Y c'o chna jun libro xjaktaja
chka', jara' libro abar tz'ibtal wa' quebi' jyatanak
chca utzlaj c'aslemal rxin Dios je rxin
junlic.

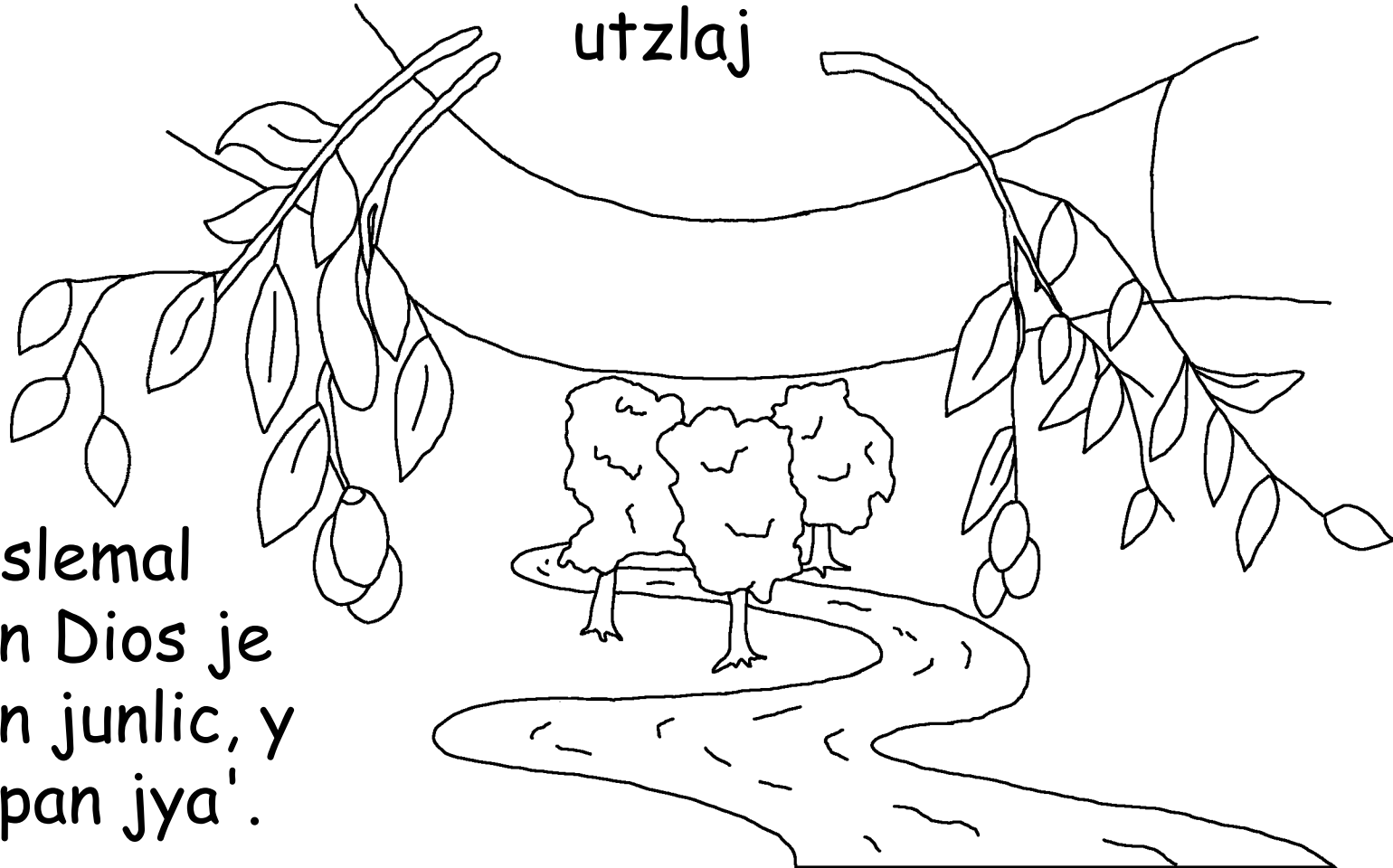


Je cnomki' arj-e' xk'a'ta tzij chquij, y je xk'etbexa
tzij chquij jara' jtz'ibtanak chpam jle' chic libro
jnak quebnon chpam cc'aslemal. Y nak jun majo'n
tz'ibtanak ta rubi' chpam libro jabar tz'ibtanak wa'
quebi' jyatanak chca utzlaj c'aslemal je
rxin junlic, arj-e' xeq'ueie'k ela chpam
ya' jreyjun ri' ruq'uin azufre
jremjon c'atem.



Je Espíritu Santo rexbil rexbayil Carne'l arj-e'
cawra necbij ra: —Catpeta Jesús, cara' necbij. Chka'
je nquec'axana cawra ta necbij: —Catpeta Jesús. Je'
wnak je majtanak rmal chkichi' quepet c'a, y achnak
c'ola rgan npeta tpeta y tertja' ya' jrec'mon ta

utzlaj



c'aslemal
rxin Dios je
rxin junlic, y
xsipan jya'.



Dios ajni' la
nquerajo' conjelal
wnak rmal c'ara' xutak ta wawe'
chwech ruch'lew Rlec'wal je njun oca,
cara' xuban ch-utz c'ara' che conjelal
je xteyke'a quec'u'x ruq'uin majo'n
nqueba ta chpam nimlaj lowlo' y
nyataja chca utzlaj c'aslemal
rxin Dios je rxin
junlic.



Romanos 3:23 Perc konjelal ajoj ja ok wnak ok aj-il ok ajmac chwech Dios y majo'n jun chka necwina nc'aj kas mer utzlaj rc'aslemal Dios.

Romanos 6:23 Cara' quenbij chewa com tak naban il mac jara' cmic ncattojbexa, per tak nac'om totanem je nsipaj Dios chka jara' nyataja chawa utzlaj c'aslemal rxin Dios je rxin junlic. Jara' nyataja chawa tak xjun naban ruq'uin Kajaw Jesucristo.

Hebreos 9:27 Ajni' chca wnak arj-e' queyben cmic y xe jmul nquecoma, mcamul oxmul ta. Jc'ola chquewech jara' k'toj tzij jq'uemjana tba'na chquij.



Efesios 2:8,9 Cara' quenbij chewa com xe rmal utzil je nsipaj Dios chka tak ewlon chic totanem rxin Dios, y jyukbal ec'u'x ruq'uin Jesucristo jara' ec'amben jawra totanem. Per jawra nmajo'n achnak xeban che xech'ecbej ta, npuro cochinem rxin Dios. Nmajo'n jun wnak c'o ta achnak xtuban je xtch'ecbej ta totanem rxin Dios. Cara' rbanic ch-utz c'ara' tak xtuwil totanem majo'n xtuya' kta ruk'ij ruyon rmal.

Romanos 10:9,10 Xchenkaj c'o wa' jara' tzij com wnabij ruq'uin achi' che Jesús arja' Rajaw caj ruq'uin rwech ruch'lew, y wruq'uin awanm nanimaj che Dios xuyic Jesús chpam cmic, jara' nawil totanem rxin Dios. Cara' rbanic com ruq'uin awanm nanimaj wa' Jesucristo che nawil rbeyal rxin Dios, y we nmajo'n napoknaj ta nabij chca wnak che ykula ac'u'x ruq'uin Jesucristo, jara' nawil totanem rxin Dios.



San Juan 3:16,17 Dios ajni'la nquerajo' conjelal wnak
rma' c'ara' xutak ta wawe' chwech ruch'lew Rlec'wal je
njun oca, cara' xuban ch-utz c'ara' che conjelal je
xteyke'a quec'u'x ruq'uin majo'n nqueba ta chpam
nimlaj lowlo' y nyataja chca utzlaj c'aslemal rxin Dios je
rxin junlic. Cara' quenbij com Dios mxutak pta Rlec'wal
che nquerutak ela wnak chpam lowlo', je rbanic jxutak
ta ch-utz c'ara' rma' Rlec'wal nquetotaja conjelal wnak.



1 Juan 5:11-13 Je testig-il rxin Dios cawra nuc' ut
chkawech ra: ja' Dios rey-on chka utzlaj c'aslemal je
rxin junlic y ruq'uin Rlec'wal nkawil wa'. We awc'an
Rlec'wal Dios chpam awanm jara' awc'an chic utzlaj
c'aslemal je rxin junlic, per wmauc'an ta Rlec'wal Dios
pnawanm jara' majo'n awc'an ta utzlaj c'aslemal je
rxin junlic. Anen xentz'ibaj ela jawra carta y quentak
ela ewq'uin ixix je ykula ec'u'x ruq'uin Jesucristo je
Rlec'wal Dios. Jxentz'ibaj chpam jara' quenyabej
eseguro che ixix ewc'an chic utzlaj c'aslemal
je rxin junlic.



San Juan 14; 2 Corintios 5; Apocalipsis 4, 21, 22

Storyline by: Edward D. Hughes

Illustrated by: Lazarus
and Alastair Paterson

Adapted by: Sarah S.

Tzutujil Eastern NT (tzj) © 2010, Wycliffe Bible
Translators, Inc. All rights reserved.

<https://live.bible.is/bible/TZJIBS/MAT/1>

©2025 Bible for Children, Inc.

www.M1914.org

www.bibleforchildren.org

