

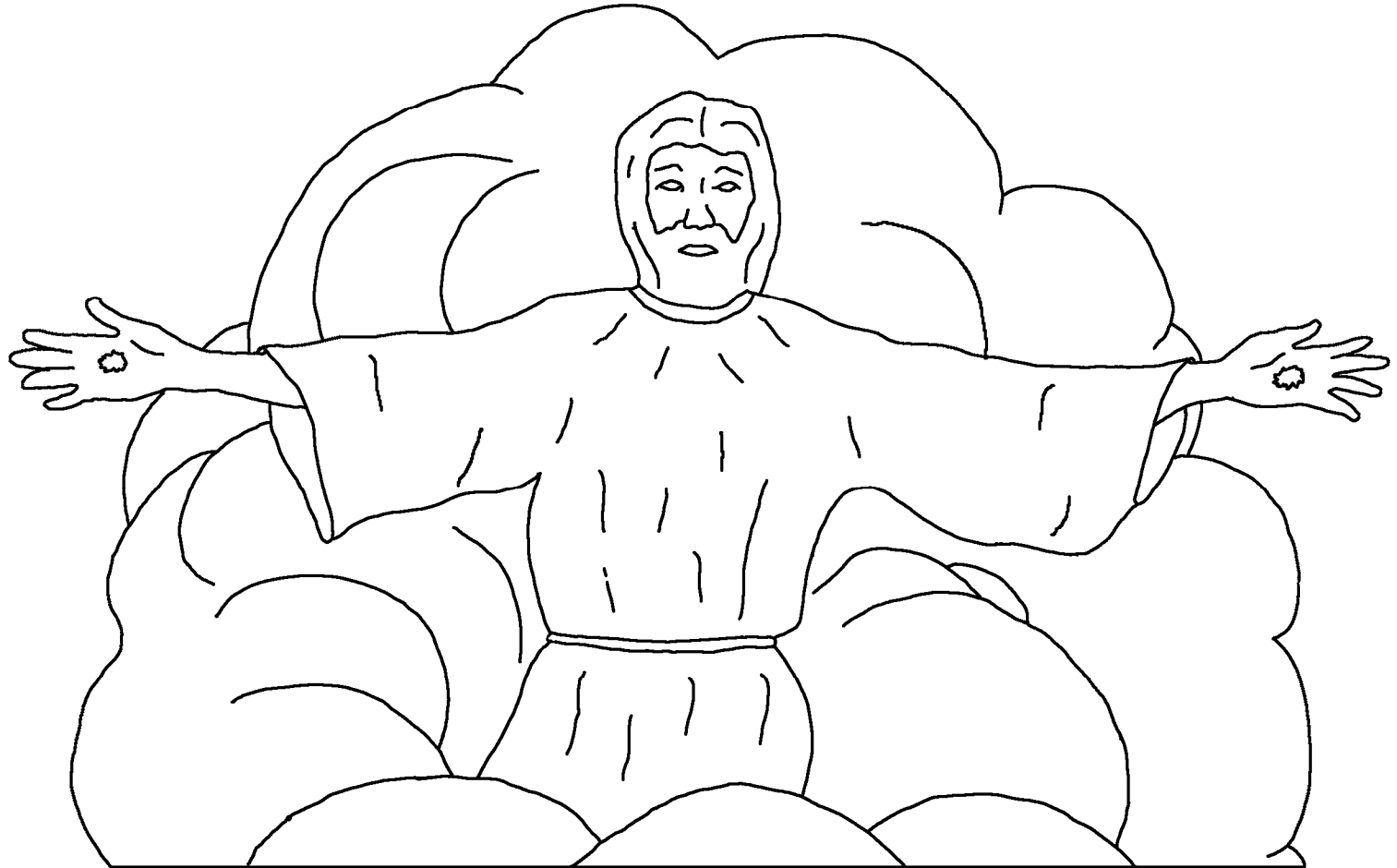
www.BibleForChildren.org



Juán 14



Suteda jita Jesús variy ruuva yisa datyavavyedabay:
“Ne jiryamuchutyetyanirya jijechiy. Jiryama tuvachusara
simu Judentu, rimu jarye jiryatuvachusara. Rajye
rorimyu jitara, rajuura vichajo jiryajiju. Netimyu tara jnay
raryicha, raryimya tuchu jiryiva.”



“Tapi ratya rajdutyasarara vichajo jiryajiju. Rātiy jiya vichajo jdutyi jiryajiju, rajaty jdedantiy, rātidye puchichara risaju jirye, jiryatidye vichasara rumuntidye, jesityi rāchasara.”



Ray, Juán, jiryetyeryi jiryatiy radyetyasara jiryisara
paruchariy, Jüdenu nusuyada jarye, tapimusi
jachideda Jesús jtyamu jarye risaju,

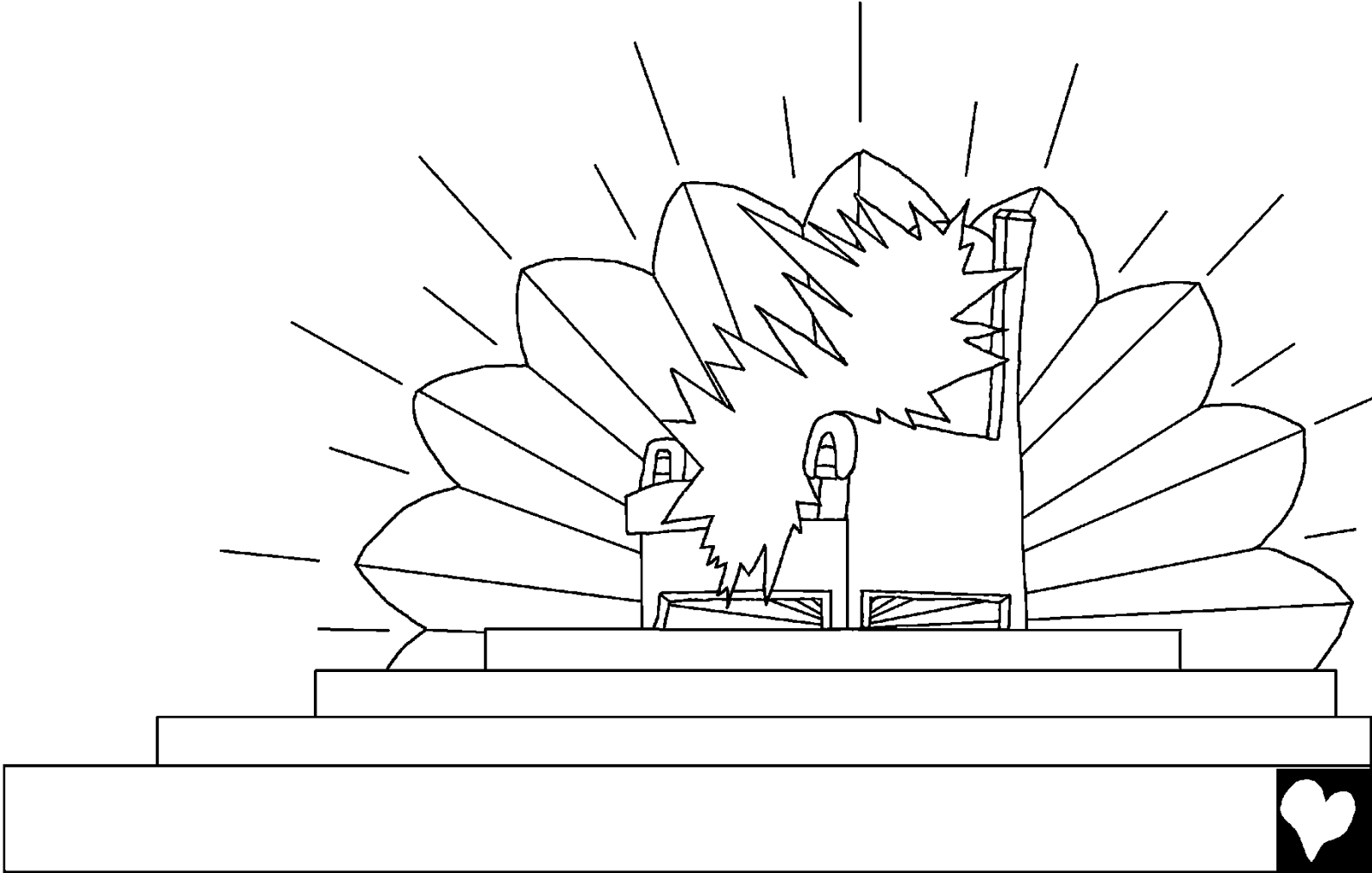
rañi vichanuyada Pátmusiy
jtyatara ratyuumu,



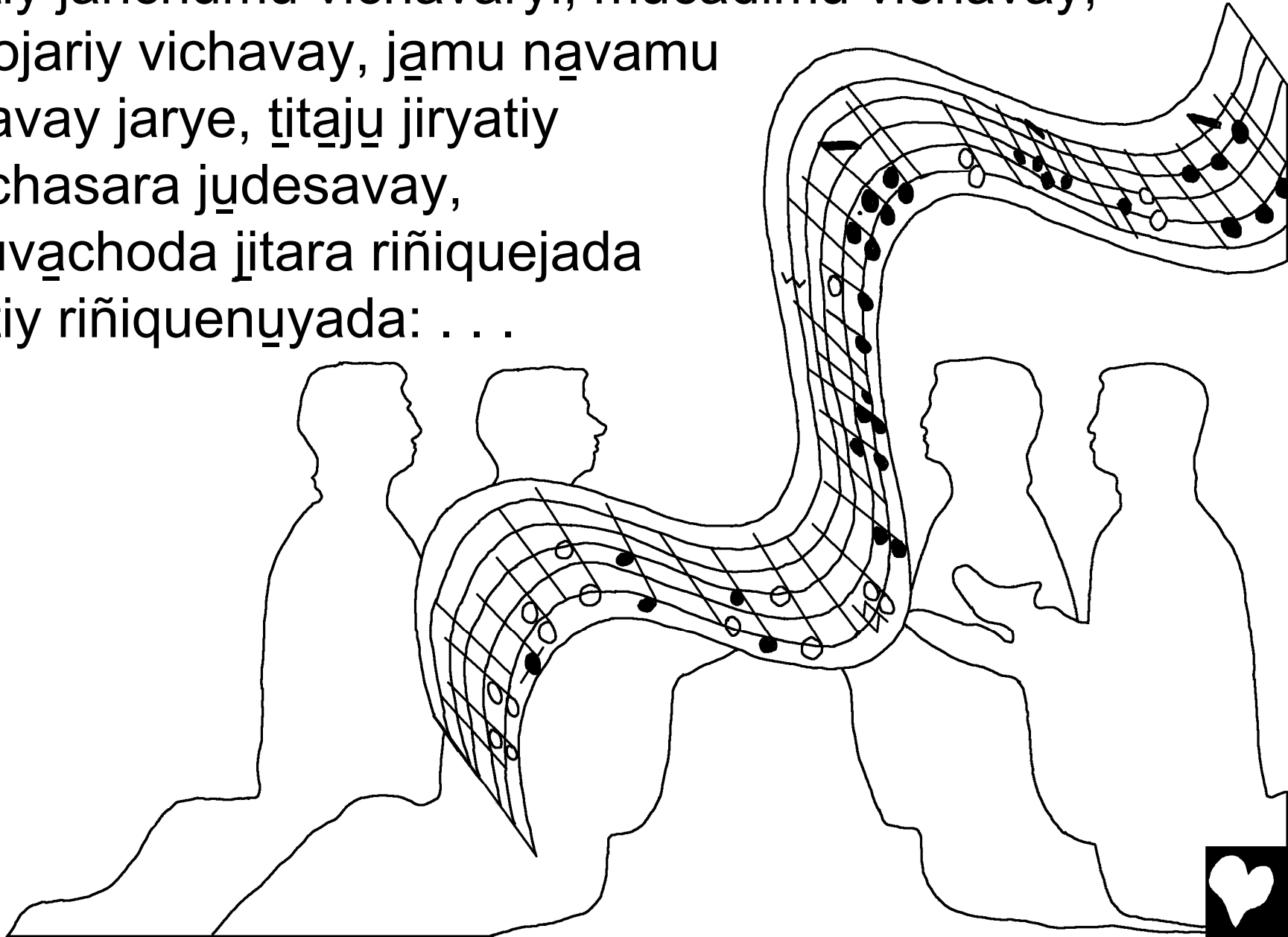
jiryatiy
ratyuchunuyada
vijyomujachera
Jüdenu niquejada
Jesús nchiy.



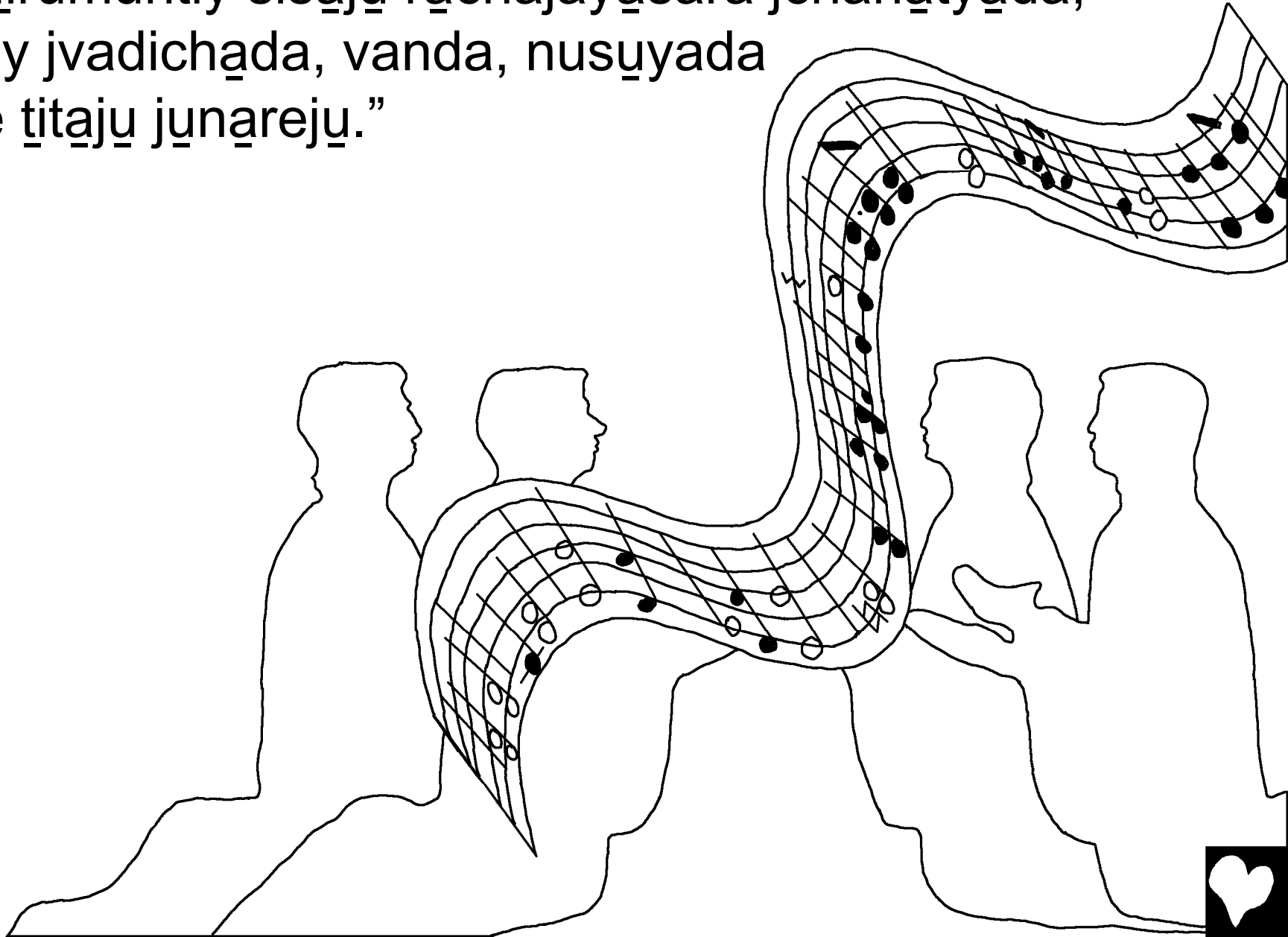
Varicharaju ratyituyada rintumu, radyiyada varyiy riva
nutyityu masajo jarichujache, savichada masi rancha.



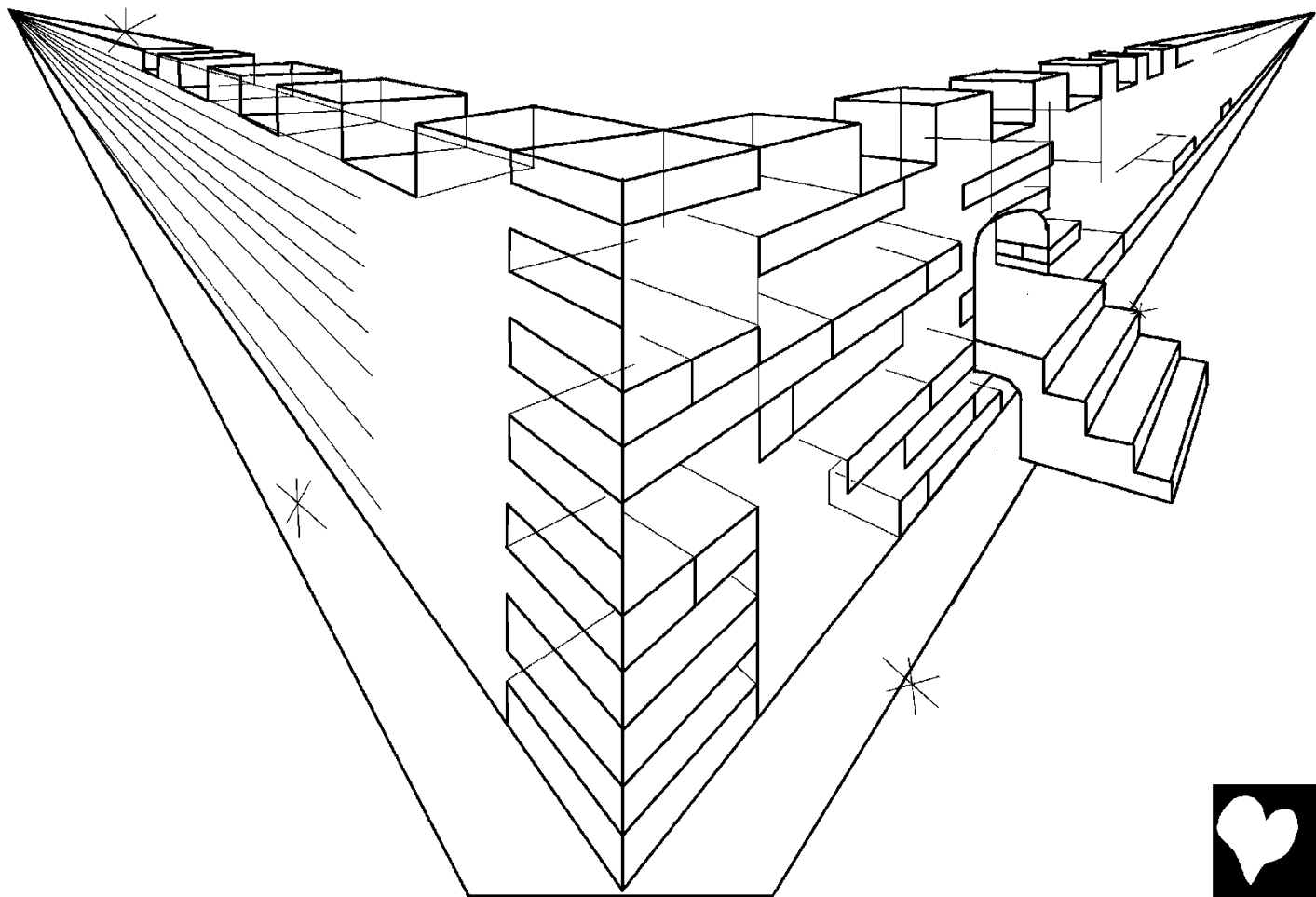
Ratyuvachoda jita varintyiryi judesavay titajuntiy,
jiryatiy jarichumu vichavaryi, mucadimu vichavay,
mucojariy vichavay, jamu navamu
vichavay jarye, titaju jiryatiy
rivyichasara judesavay,
ratyuvachoda jitara riñiquejada
jiryatiy riñiquenyada: . . .



. . . “Simuju ni jita jiryatiy nutyityu masajomu masini,
Carnirumuntiy sisaju rachajayasara jchanatyada,
samiy jvadichada, vanda, nusuyada
jarye titaju junareju.”



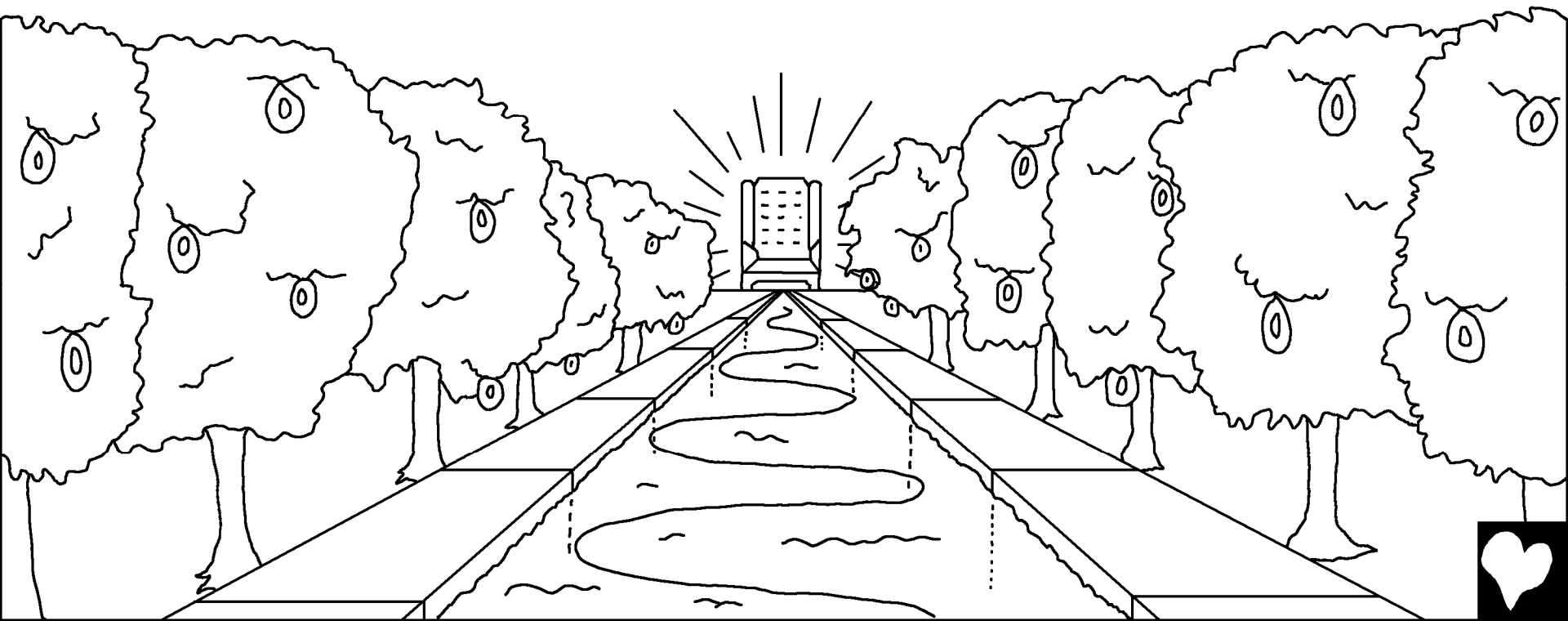
Jadchintyi Jūdenuju jīntyasara jamu vichāda, jiryatiy vadi Jerusarí jtyatarara, riva jīta radyiyada jiryatiy rūmusāda jarichuvimusi, Jūdenumusi. Ravichāda jīta samiy jdutyasara, nūtyu sūdutyā vadi jamūtyu jivyanujijūyū.



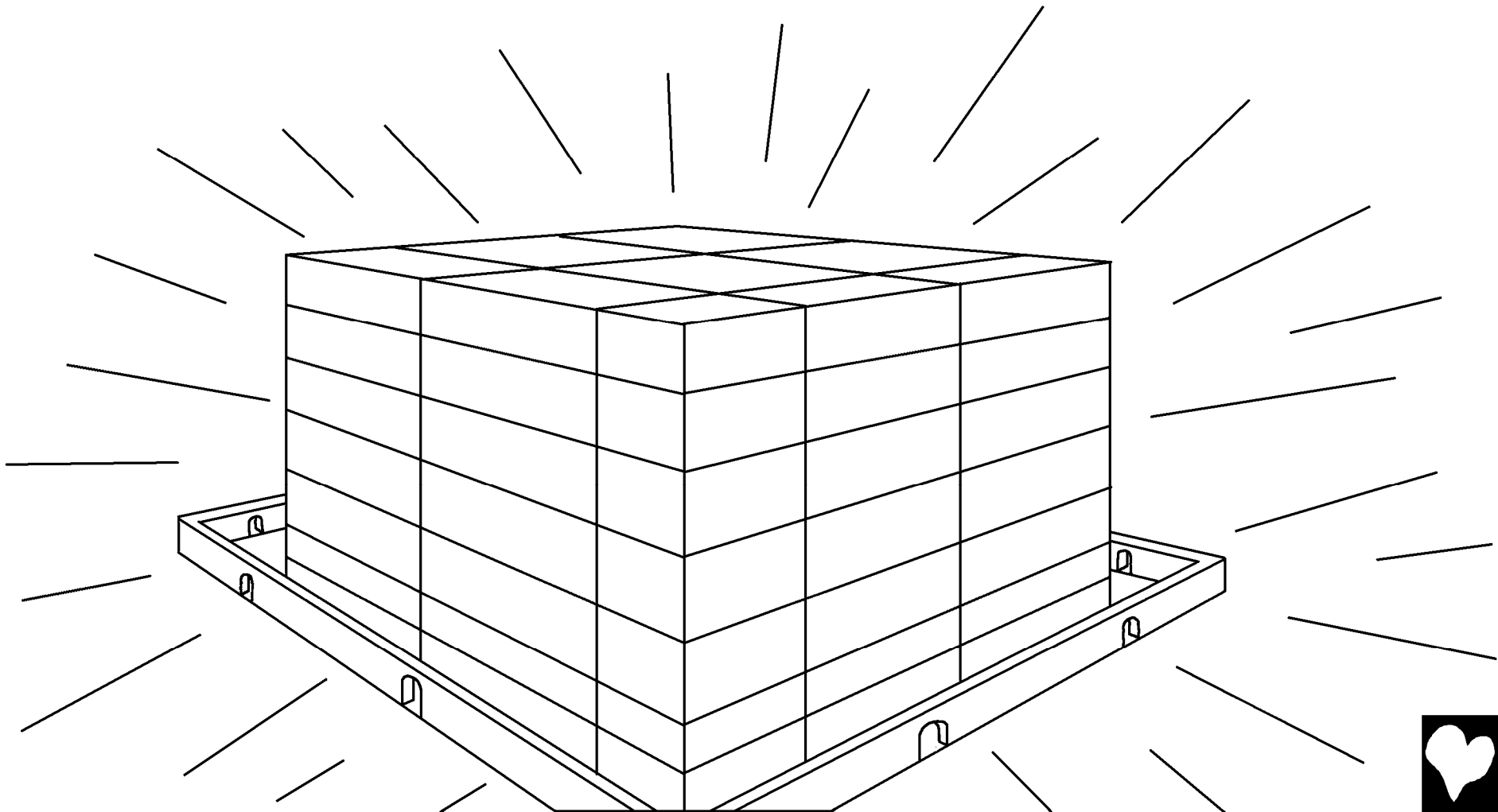
Ratyuvachoda jita varirya jamu niqejada Judenu
masajomusiy jiryatij suteda: “Jiryajnyy, sumusama
Judenu, satidye vichasara nijyanvay jsa,
sachajayasara rusa variy, riryechasara jita
sanijyanvay, nini jita rachasara rusa rundenuju.”



Sadityadoda jita Jūdenū jpaṇu variryā jāmumū,
vandajātara vuryinuyadajū, jiryatīy rasiñūyada
Jūdenū maṣajomusiy, jiryatīy Carnīru maṣajontiryā.



Jadchintyi, ne ravatada vichadara sadanuyada jiñi,
daryantyamuy ne jarimyuni riva, tapi radanuchara
Judenu da jasiy, Carniru jita vichasara ranonosiyy
nta jasintyi.



Tama rirajay minuvay
ravimu, tama,
daryantyamuy ne
javityichara jvaavye,
dantyamuy ne
quivuchodacaniumiy,
ne vinu rityimyu ne
nuchavay Carniru
padyevya, jiryatij
junareju jnyadajura.
Ne rirajay davye
nijyanvay ravimu,
mitya.



“Sapuy jita riñisimyusirya yinaya
titaju, ne rachasara variy diiyada
noday, dantyamuy ne nuvayada,
dantyamuy ne junayada, ne vinu
nuvadedada, jiryatiy raramimyumya
munatya mucadi barya titaju.”

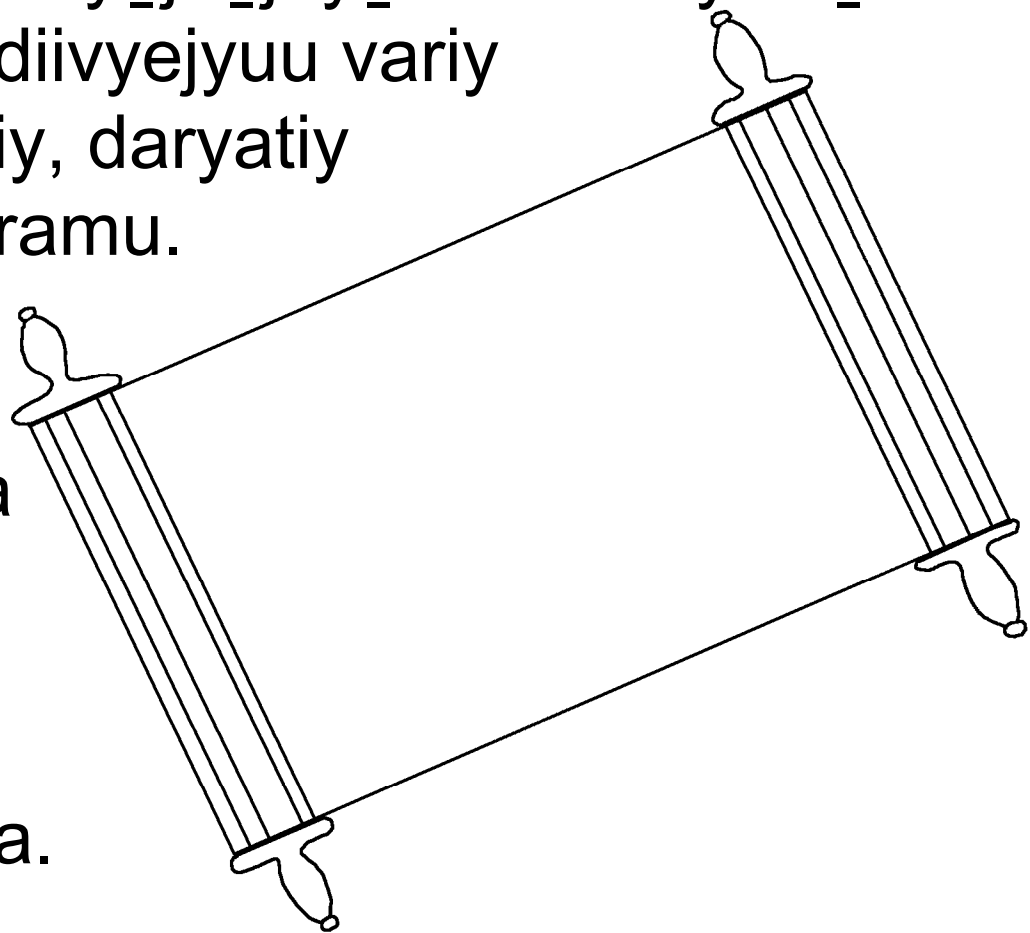


Ne r̄achasara variy tara parutachara, daryantyamuy
ne parutiṣi vichadamu, mitya. Jasiñi r̄achasara Juḍenu
maṣajo, jiryatiy Carniru maṣajontirya, riryajvaachara
samuchechimyirya jivyatara titaju jasiy. Riryadichara
riva Juḍenu montiy,
ṣitya jita r̄achasara
nuchara
rimyotasantiy.

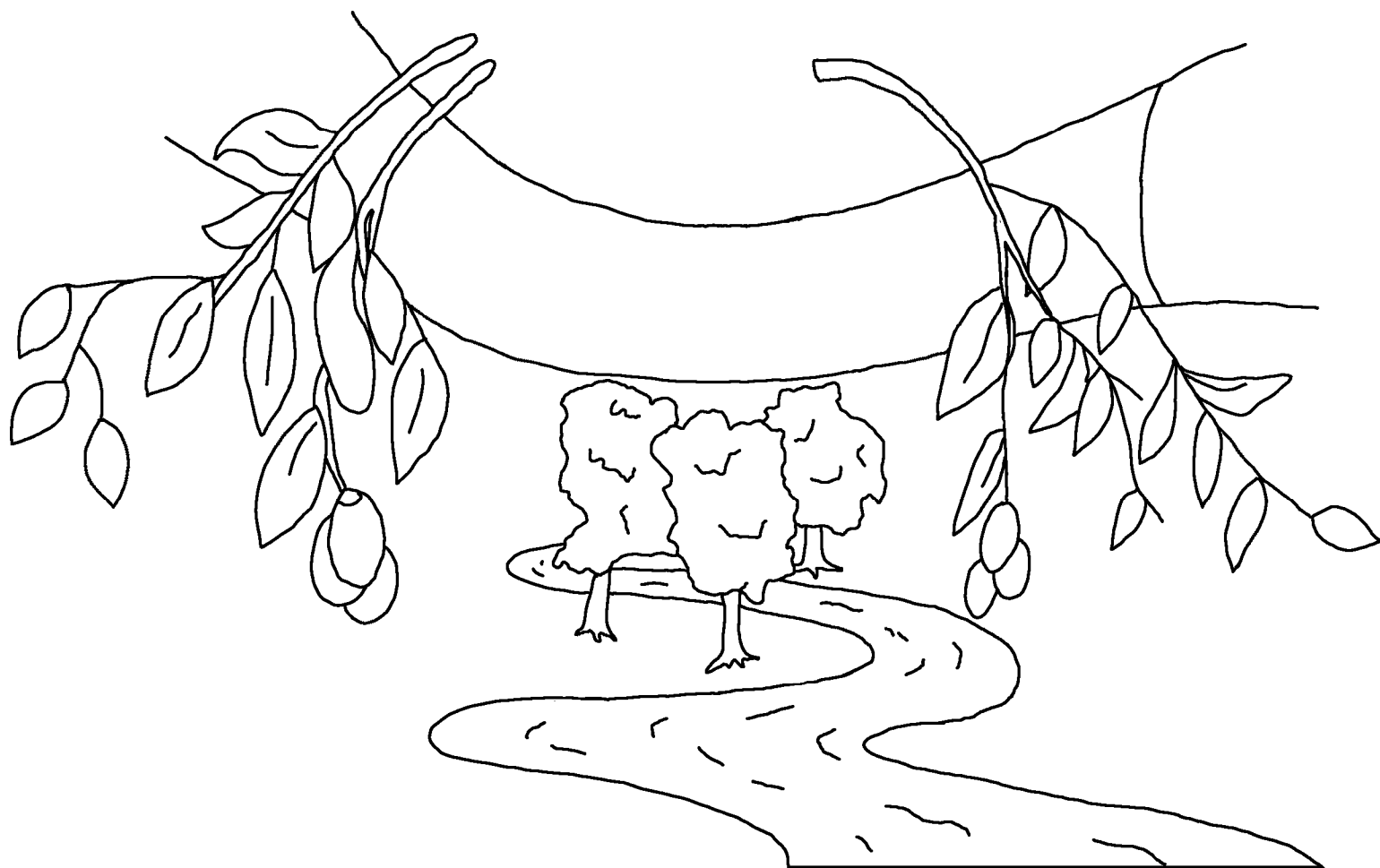


Jadchintyi, radyiyada ruuva diivyejyuu jiryatiy
rivyichanuyada jaryiñuvay, jantyuyadavay jarye,
riryadedada Judenu masajo jchosiy. Ti muttada varirya
catera padyemyi, ratarya catera padyentyi jasilyi
nucharara ritya jiryatiy riryajnujeyasara. Rivyichada
murichenutanichavay diivyejyuu variy
catera padyemyimysiy, daryatiy
nucharara ruvaayada ramu.

Jadchiy jita,
minityimyū ne
vichasara nuchi catera
padyemyu, jiryatiy
junareju jnyadajura,
savichada jatyasi
jiidatyovimujū variy riva.



Judenu Jnutu jita jtay, Carniru vatura vadi jamutyu jarye jtay sisaju: “iYanuma jniy!” Daryani sajta Jjudenu niquejada tuvachu: “iYanuma jniy!” Sama jniy jchumuñu, nitiy jmutyaruy mityara jnyadaja.



Tapi savāṭāda Jṛḍenu daryasārajū
riy mucadiva vichavay, supajada
variñi jidyenu vinu ṭiqui, ṭitidye
raṭuvāchusara simu, ne
saparutachara, santya
jnujeyāsara junāreju
variy.



Róma 3:21-23

Diye jita radtaday sadyanu Jüdenü darya nutyuramusiy sajtay samivyevyuy, nutyuramusiy, netimyü ne vutyuvachusara ramu saniquejada titajuntidye. Saniquejadamu jita jiryatij tarij sanuyada Muyisésiberya suteda, riñuyada Jüdenüjü tuchuvabe daryantirya saniquejadantij, ramunij jita datyasara diye darya, nutyuramusiy sajtay Jüdenü samivyevyuy, nutyuramusiy, jiryatij vutyuvachu daryajü simu Jesucristu. Sajtay Jüdenü samivye titajü riy rityi tuvachu simu. Ne sajaryeta ti, tapi vuvyichatya jidchavü titajü sajü, jiryatij vujyuuchuvamyä titajü daryajü, vuchütye variy rivasiy sadanuyada.



Róma 6:23

Tapi juuchuveda jita murichenutanichara diiyadata vuy,
Judenu jita say mitya tarijyu jnujeyasara vuy, jiryatij
vuryajnujeyasara Vuyntyityu Jesucristumu.

Ebrévueda 9:27,28

Daryatij sabayada Judenu nijyanvajyuntirya taraquiju
diiyadantij, samurichenutanichara rivasiy vuryivaayada
murichirya vuy, daryaday savichasara Cristu jnutatyasi
jidyiyadivasintiyi, satidye puchicharara rajuuvay
juuchuveda. Saday muti darajuju juuchajsantij, jivyejyu
jiryatij rintuyanumucha sajiju jiryentyutyasadaju.



Evésu 2:8,9

Vinu s̄antyutyādamusiy v̄uryamitya mityara v̄ujyuuchueda murichirya, jiryat̄iy v̄utyuvāchoda simu. V̄utyuvāchoda j̄itantiy ne v̄udyirya tuvāchoda darya; J̄udenumusiñuma ran̄icha t̄itaj̄u day. Ne v̄ucyan̄ay vuryivaayadatara, vuñuma jchanātya ranchivyūy.

Róma 10:9,10

Tapi jiryetyi t̄uchu vijyomujache: N̄in̄i Jesús Nutyityū, jiryetyi tuvāchu j̄ijechitya variy ramu jiryat̄iy J̄udenu m̄isadedā diibyimusiñ̄i, jiryāramityaniy variy yivara j̄ijyuuchueda; tapi v̄ujechitya yinūy v̄utyuvāchu vase vichasādajū, jiryat̄iy s̄utay J̄udenu samivye varivyūy, v̄ujyūta v̄utyūchu vijyomujachera v̄ujechipiyajada, juuchueda ramityadedajū.



Juán 3:16,17

Tapi savatada Judenu daryasaraju riy mucadiva vichavay, supajada variñi jidyenu vinu tiqui, titidye ratuvachusara simu, ne saparutachara, santya jnujeyasara junareju varyi. Tapi supajada Judenu jirya mucadimujuni jidyenu, ne nijyanvay jiyaroju, satidye parutajay rijyuuchueda murichiryayu. Supajada jita riryantyutyijuni.

1 Juán 5:11-13

Satuchutaniy Judenu daryaju jicheyada vuy junareju jnyadaju sadenumuju. Minityi Judenu denuti yimu, junareju jnyadati risaju varintyiñi; minityimyu ne sadenuti, dantyamuy ne junareju jnyadati varintyiñi. Rañuyasiy jiryeyura jirya, jiryatidye datya jiryenicha junareju jnyadatavay, jiryatiy jiryetyuvachu daryaju Judenu denu jtyamu.



Juán 14; 2 Corintyu 5; Dityadoda 4, 21, 22

Storyline by: Edward D. Hughes

Illustrated by: Lazarus
and Alastair Paterson

Adapted by: Sarah S.

Yagua NT (yad) © 1994, Wycliffe Bible Translators, Inc.
All rights reserved.

<https://live.bible.is/bible/YADTBL/MAT/1>

©2026 Bible for Children, Inc.

www.M1914.org

www.bibleforchildren.org

