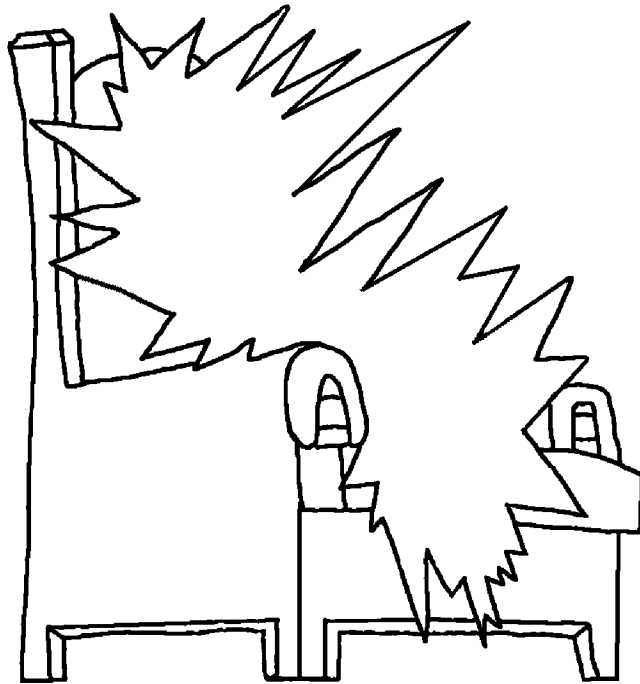
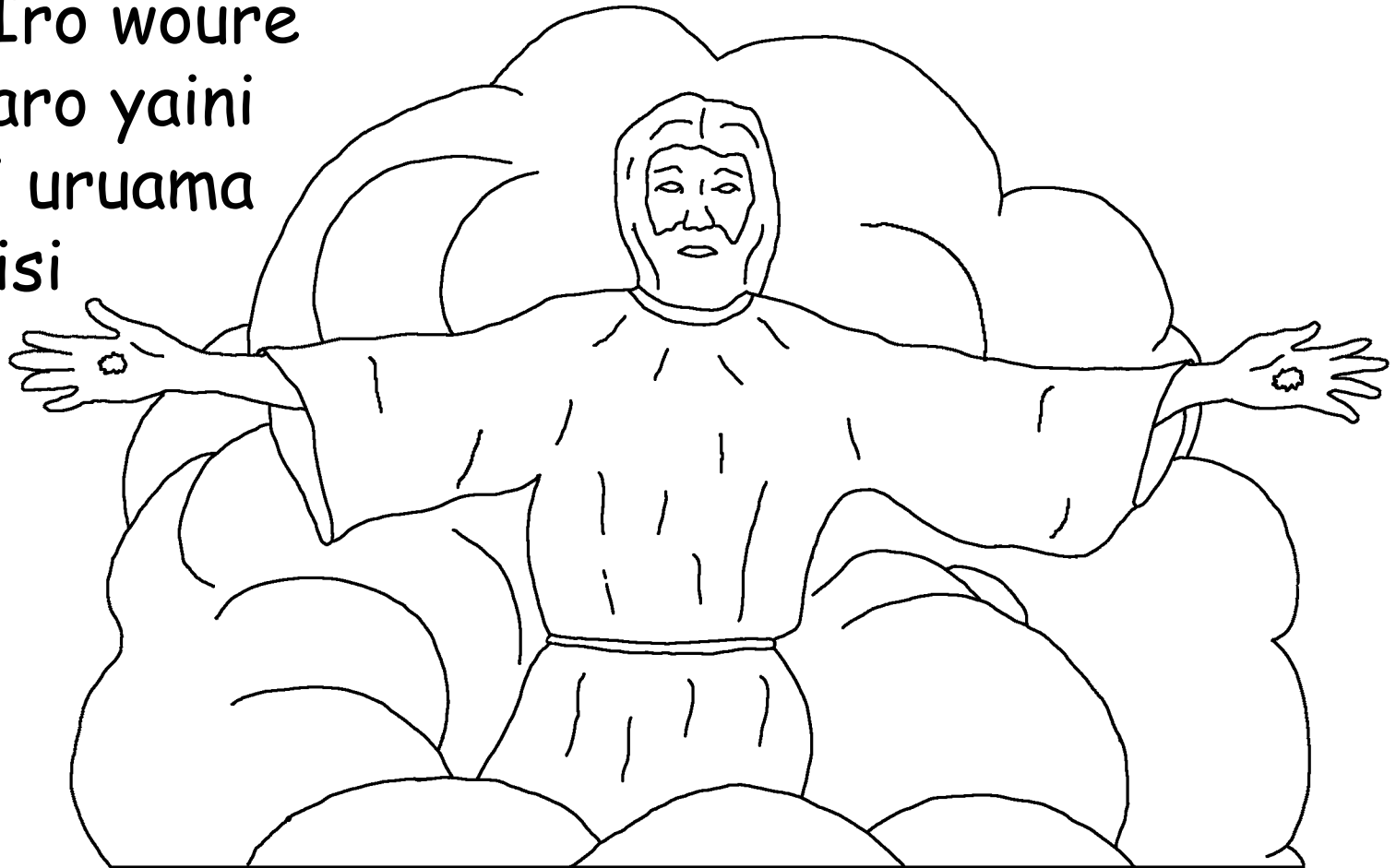


[www.BibleForChildren.org](http://www.BibleForChildren.org)

# Joninu 14



Yesuma wei, neno siosa da uawete Godi naue imue  
uawete Naini enanari naue imue uawe wei. Nanu  
Babanu ibinu orofaro su faiyawere ibinu, iro su  
merona yaba da wemane wei. Iro animate yanu su ue  
bou umate duburo owemate famate ya woure animau  
wei. Iro woure  
animaro yaini  
Naini uruama  
ibifeisi  
wei.



Na Joni, nana ya uwara nesianu yaiye. Yaini naini  
Yesubai taka ue ibinisi, iba awona Yesu  
Kerisoma ya yawotasuro ewa orofaro

ibedana yaini uruama  
Danu gaukara utaisi.



Eno utaisiba emema yaba awe uyaraitaro oferi  
wouraisite ya nesia inare kimu utaisi. Nana  
Godinu sina wete Yesu Keriso naba we

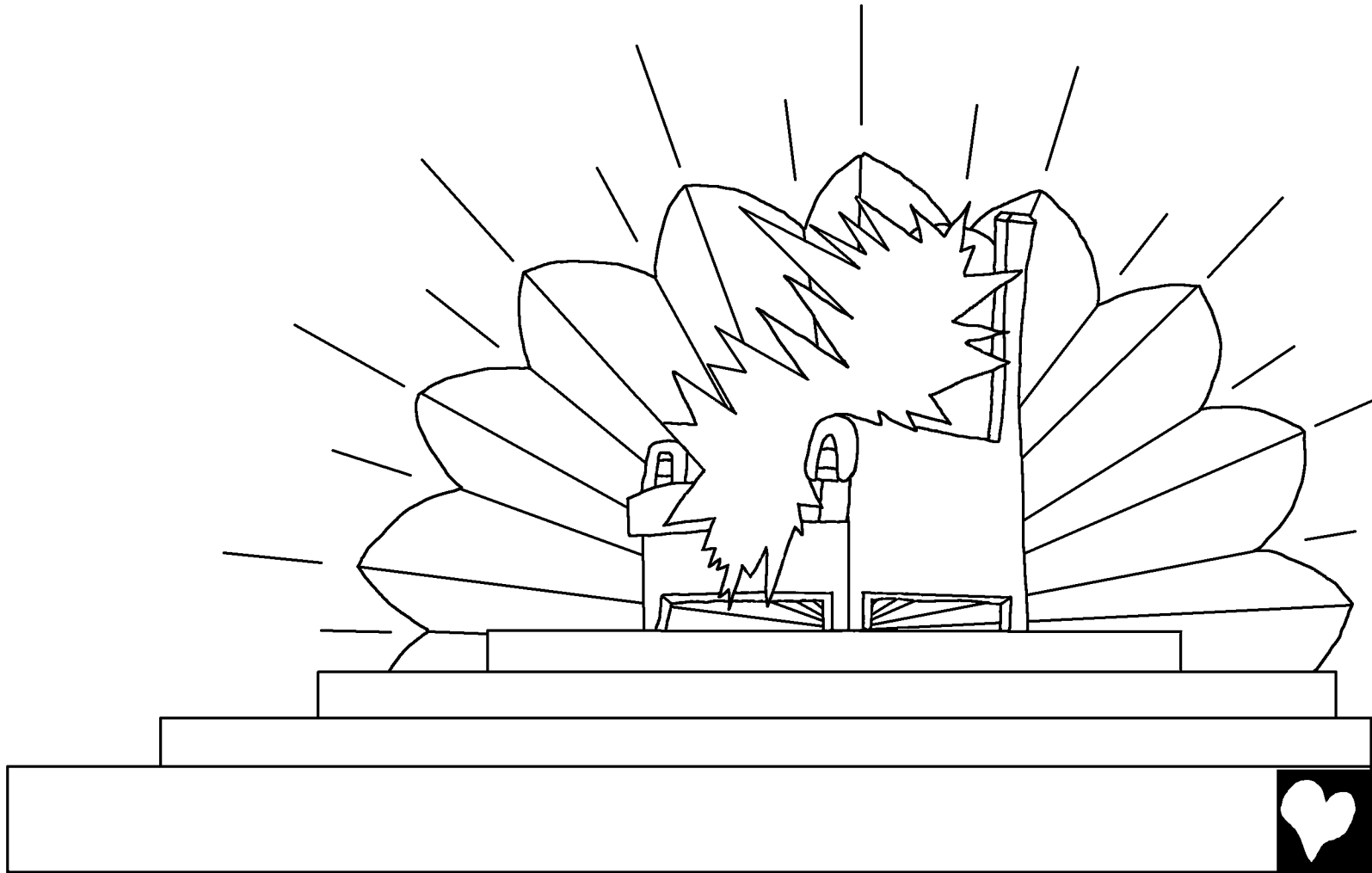
ma boroyari sina weba na  
fanisi mateda na mune



Fatamosi  
mutumuturo oitaro  
ibitara.



Eno weiro daido sau Godinu Imumu Kotofunu buna nabai fariro erena urero yaure yawoeta orofa ibiro mui amarama i yauretaro yaubiro ere.



Nana nono nauena Godima ubu uiro ibinita ememetu  
nesia, nasiniro ibinitaini urero ibinitaini nasini  
wowonaro ibinitaini enea ogo  
ubarero ibinitaini ema nesia soni  
weitaro naue.

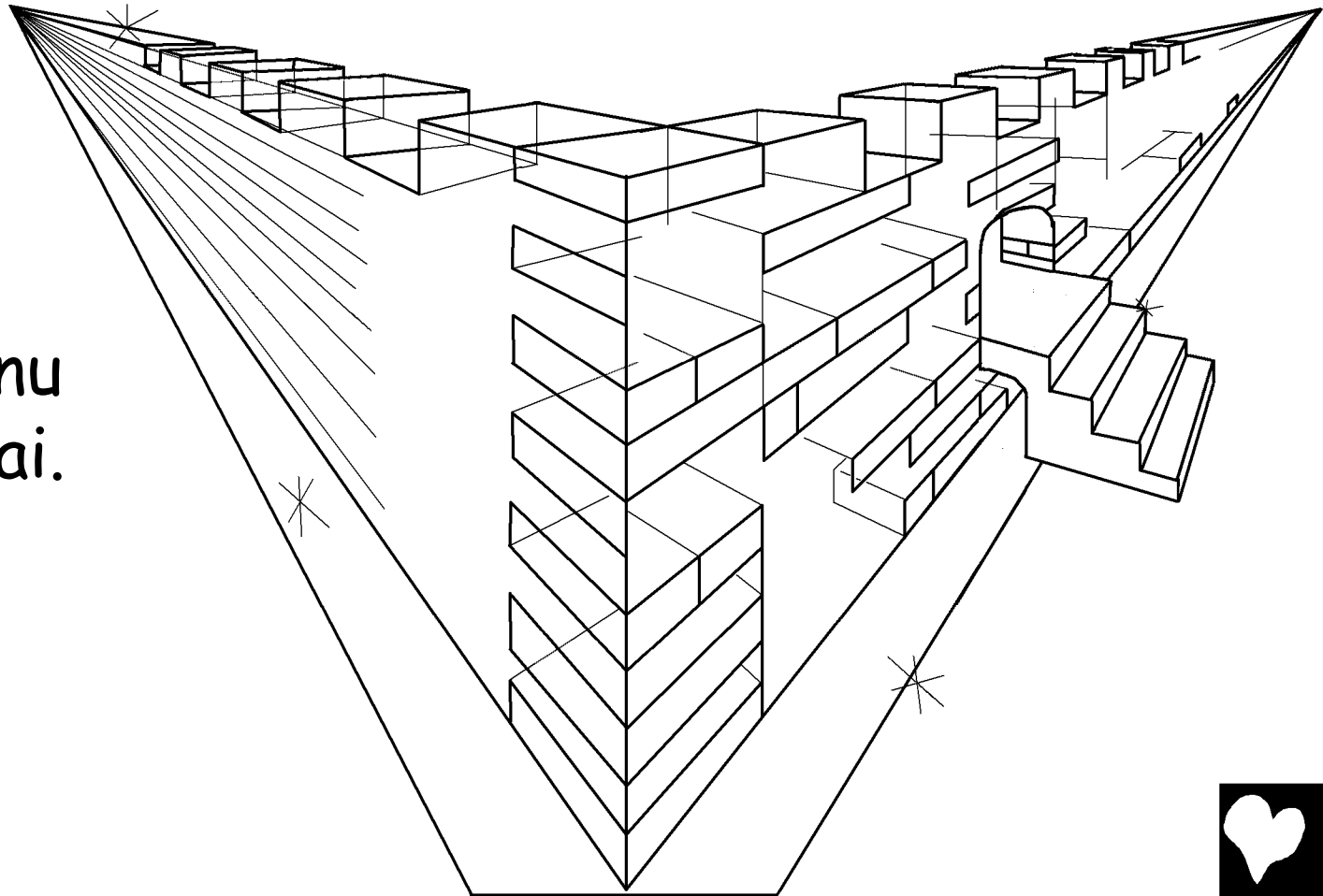


Emana soni eno weita, i dera yaure yawoetanu  
orofaro yaubinu Godi, Dawaini i Reka  
Mamoeini ema sadeibai we ma  
kobererau uteibitate emanu ifu  
we ma derawere uteibitaro  
araeta derawereini buna  
derawereini emabai me ibene  
ibene ibifisu,  
eno weita.

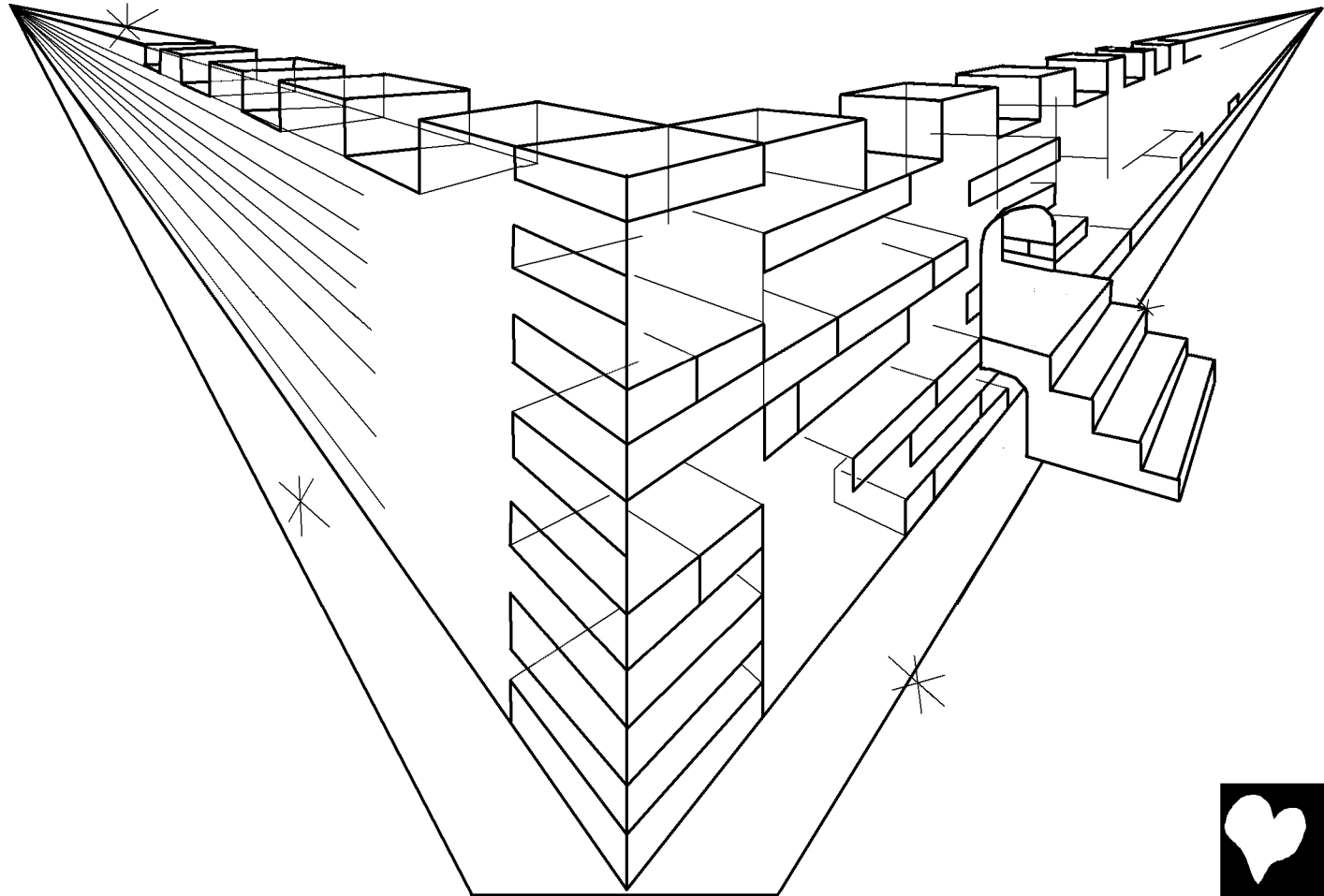


Nana erena i kakarawere tauni, i reka Jerusaremu su, Godibairoma ure ekodite tararebiro ere. Mui karu arumama awera mubie kobere wadia barutebasu i ari i reka Jerusaremu su tararebiro ere. Nana nauena wate

derawere i kininu yauretaroma farite wei, awonana Godinu ibetana emebai.



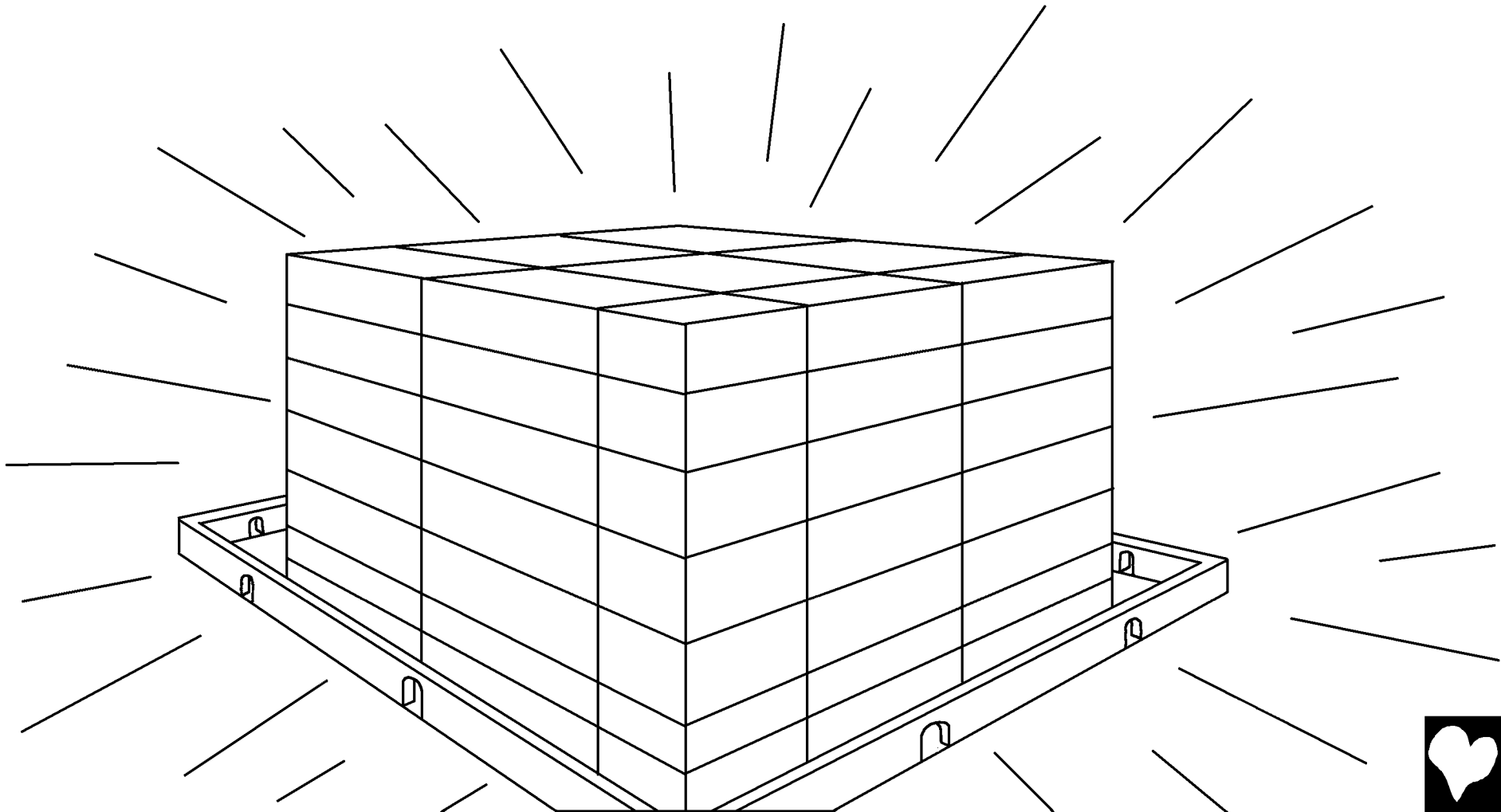
Dana emebai ibifiro emana Danu uwara sibilitaita.  
Godini emaini ibeda Dana emanu inodi emanu ditiroma  
maiture sabiro iro uieta da fafisu iro sorara uetana  
me, i wetana me, oferi wouretana me. I bodere  
ibaiabai nesia me sita weiro naue.



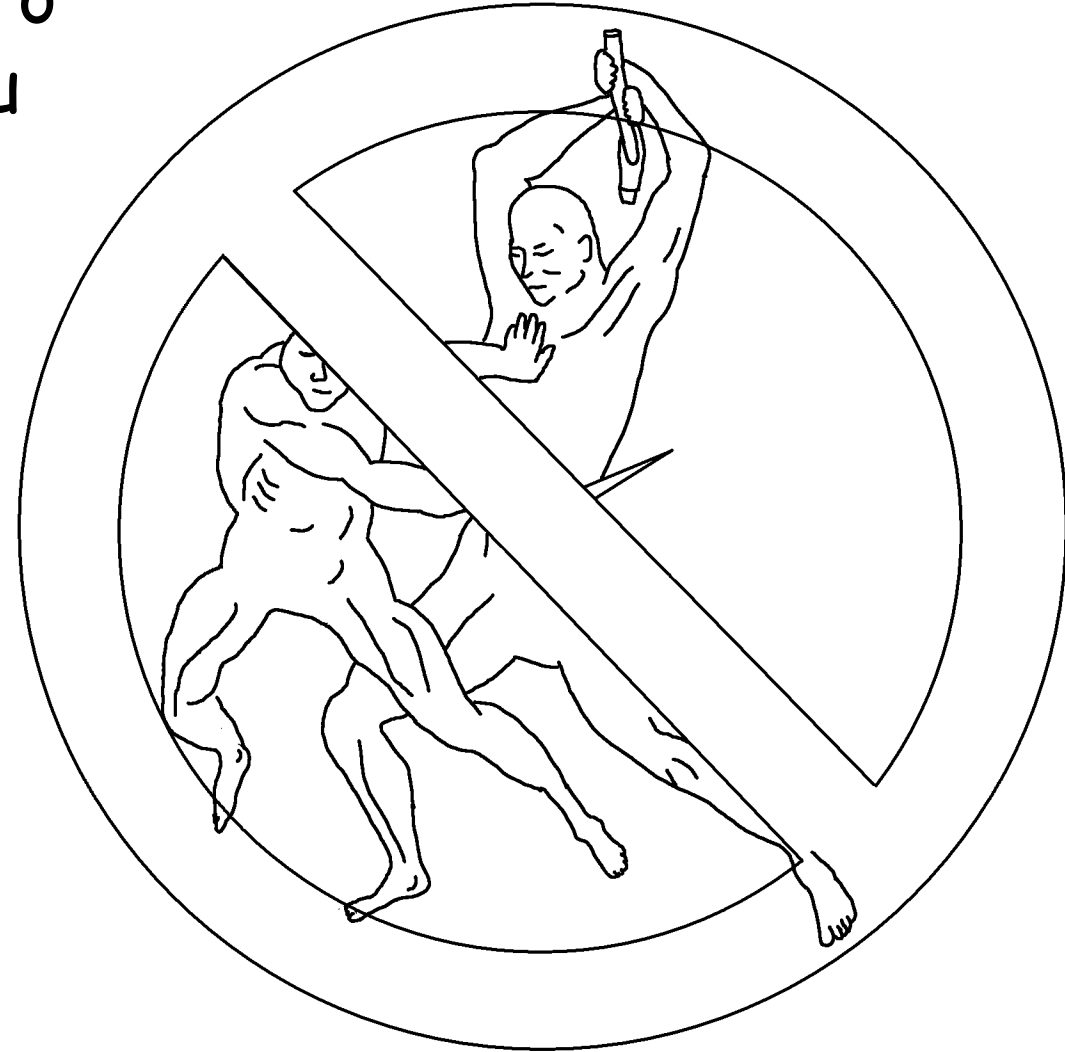
I aneruma ma wiroeta ogo roatarau kurisa waita  
gebiro ari taritari uteda Godini i Reka Mamoenu dera  
yauretaroma fari wiroeta ogo mawetu uiro ere.



Godinu araetama i tauniro ario utebiro i Reka Mamoe  
Dawaini i tauninu arioba kowaini sakarama iro ario  
utawa ui.



Igawere ememetuma i tauniro da  
anibitaro i siosawere uetaini  
meoma weta uwarama iro  
da anibitaita. Ana ananu  
ifu ifu i Reka Mamoenu  
wiroeta bukaro  
ibifitaitana emanu  
torowana iro  
anibitaita.



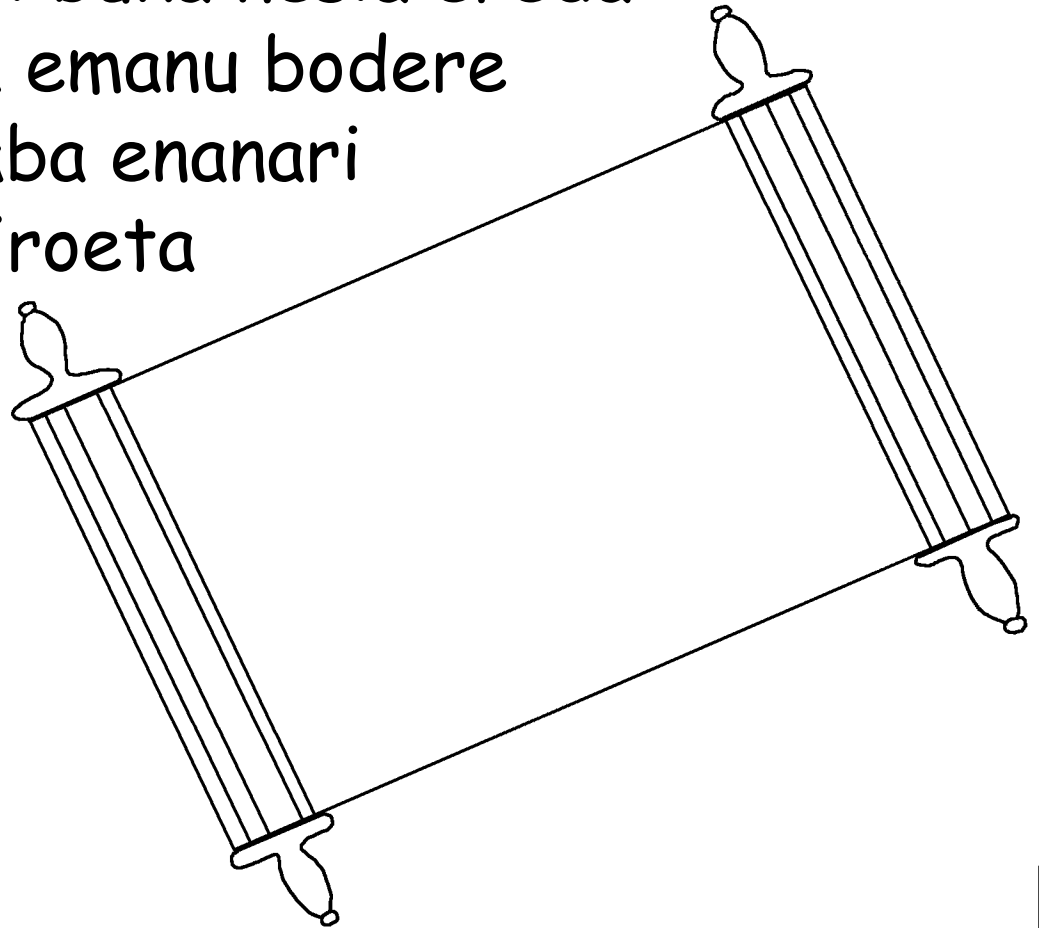
Nana nauena wate derawere i kininu  
yauretaroma farite wei, awonana  
Godinu ibetana emebai. Dana  
emebai ibifiro emana Danu  
uwara sibitaita. Godini emaini  
ibeda Dana emanu inodi  
emanu ditiroma maiture  
sabiuro iro uieta da fafisu  
iro sorara uetana me, i  
wetana me, oferi wouretana  
me. I bodere ibaiabai  
nesia me sita weiro naue.



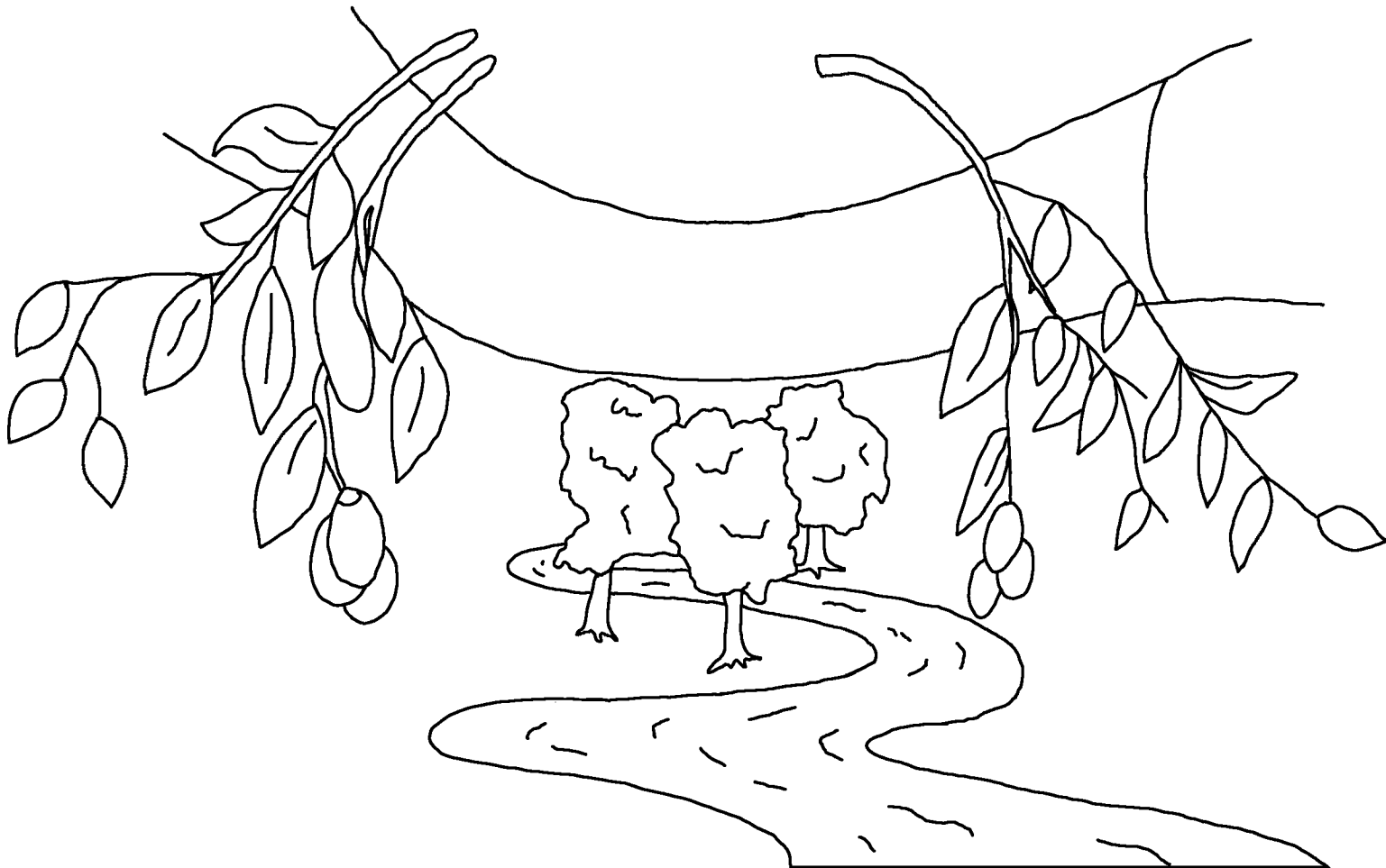
Iro ba me aramawere ibaiabaina me. Irona Godini  
i Reka Mamoenu dera yaureta ibifiro Danu  
gaukara ueta uwarama Dawabai guriguri  
uteibitaita. I uwarama Danu ibo  
nawata efitaro Danu  
ifu emanu befororo  
owawa ue odifisu.



Nana erena i uitebita uwara nesia, ifu derawere  
uwaraini ifu kikiratu uwaraini ema nesia i kininu  
yaureta iboro yare inataro ere. Buka aika maika  
ma wurataro nono mui bukana i wiroeta buka  
ido ma wurai. Godima i buka nesia ereda  
i uitebita uwara nesia emanu bodere  
ueta sineta erite emaba enanari  
koto ui. Ananu ifu i wiroeta  
bukaro ibawana dawa  
mune i uitawa  
yareiene yareiene  
yareta ina mesauro  
saniro itari. Nana i  
nesia eno ere.



Imumu Kotofuini reka awetama arawe waisiro  
ana anama naufitaitana emaini arawe webaita.  
Ana anama ogo nodo ufote i wiroeta ogo ifoe  
ufoitana arawete iawe.



Godima i orofa atata uwara nesia  
nenno arama derawere uite Danu  
Amara ubi yabai maiba anama danu  
naueta Dawabai odifite dawa me  
sara da uifite urero me ibene  
ibene ibeibisu wei.



Romani 3:23 Eme nesia siosawere utaro Godinu mafie utebi araeta emabairoma feari.

Romani 6:23 I siosawere uetanu mokona uieta. Nono Godinu me maetanu mokona yanu Dera Waria Amara Yesu Kerisoini yaini me ibene ibene ibeta ido.

Iburu 9:27 Ya nesia woroworo da uie uyare ufete daido demurai uifero Godima ya koto ufisu.

Efesa 2:8,9 Godi Danu torowa ya durua uteda me ma wirotasuro yanu naueta Godibai odaita. Ya yanu torowa ma wirotawa yanu wiroetana Godinu me maeta. Ina yanu gaukara meba iba yanu ifu we ma derawere da ufeisi.



Romani 10:9,10 Yana Yesu Dawa i Dera Waria Amara  
weda bebetuma eno waitate Godima Dawa uietaroma ma  
uyari yanu nenoma imutaitana Godima ya ma wirofitu.  
Yana nenoma Godi imutaisiba Godima yanu neno ma  
rorowarau utasu. Yanu bebetuma yanu naueta waisiba  
Godima ya ma wirotasu.

Joninu 3:16,17 Godima i orofa atata uwara nesia neno  
arama derawere uite Danu Amara ubi yabai maiba anama  
danu naueta Dawabai odifite dawa me sara da uifite  
urero me ibene ibene ibeibisu wei. Godima Danu Amarana  
uwara fanisi mafie siaia utawa uite nono i uwara nesia  
Dawabai wirofitae iba siaia uiro fari wei.



1 Joninu 5:11-13 Godinu sina ane ari? Danu sinana eno,  
Nanu Amara ubi yabai siaia umaro tarafite yaba uifiro  
me ibene ibene ibifoe watane, Danu sina eno wei. Anama  
Yesu Keriso imuegou utasuna Godinu wiroetaini me ibene  
ibene ibetaini awona dawabai ibinu. Anama Yesu Keriso  
imutawa utasuna Godinu wiroetaini me ibene ibene ibeta  
dawabai me. Godinu me ibene ibene yabai ibinu imuegou  
ufoe iba ya Godinu sina nautaita uwaraba ewa  
owawa ue odatane.



Joninu 14; 2 Korinita 5;  
Jonibai We Ma Boroyari Sina 4, 21, 22

Storyline by: Edward D. Hughes

Illustrated by: Lazarus  
and Alastair Paterson

Adapted by: Sarah S.

Yareba NT (yrb) © 1987, Wycliffe Bible Translators,  
Inc. All rights reserved.

<https://live.bible.is/bible/YRBTBL/MAT/1>

©2025 Bible for Children, Inc.

[www.M1914.org](http://www.M1914.org)

[www.bibleforchildren.org](http://www.bibleforchildren.org)

