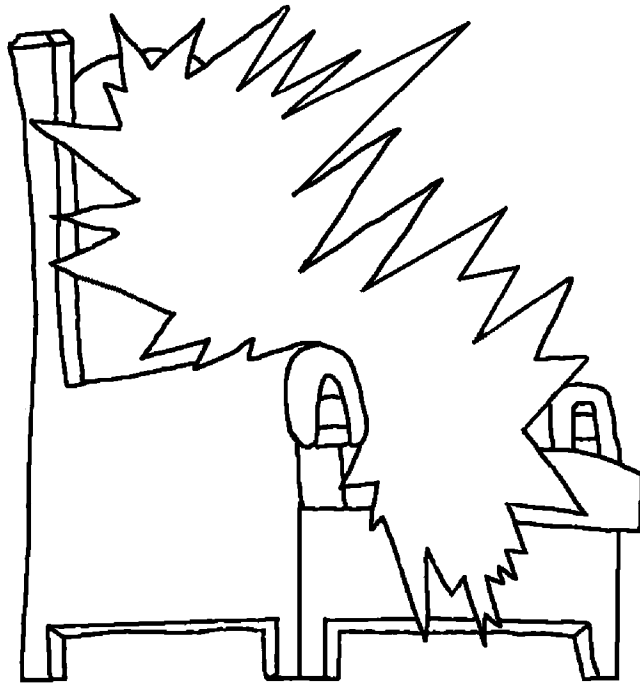


www.BibleForChildren.org

Roma 14



Yesus po raura pare, "Wabemo wasanuga mamaun inya. Wapanave tawano Amisyae ai; syare wapanave tawano Rinai tavon. Sya Injaya apa yavare mammo ama tanoano ta na rai manui rave. Risyoroto indamu Syo Injaya apa yavare ratayao wasanyut."

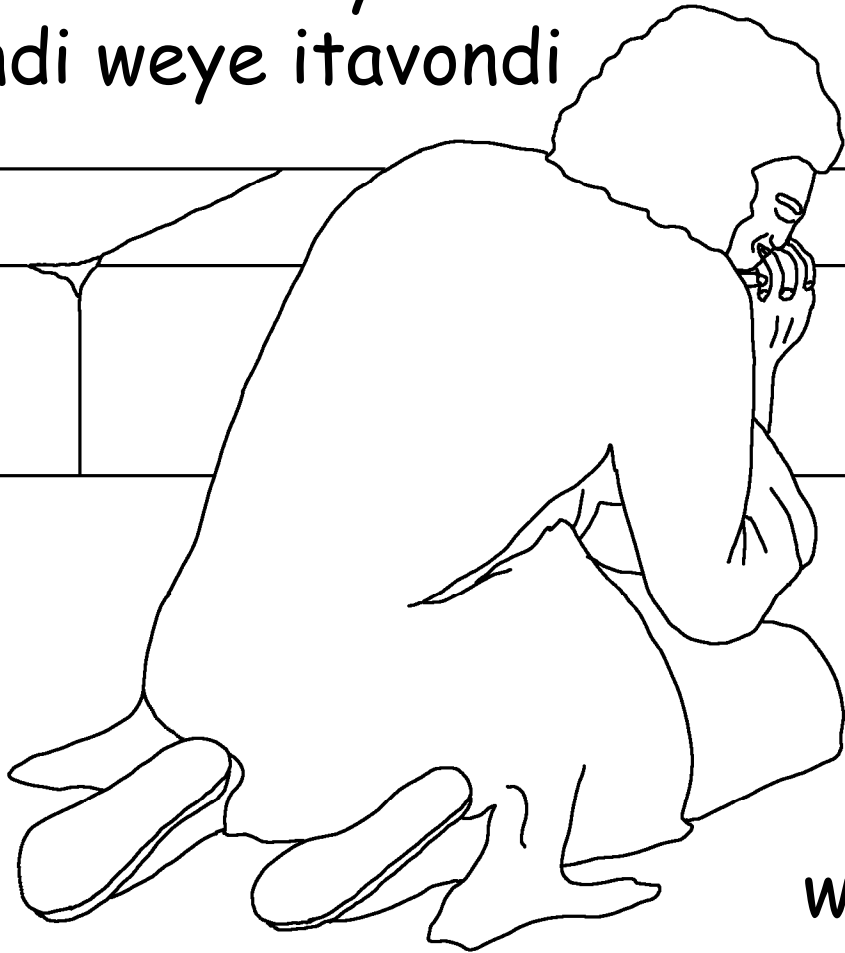


"Sya ayao syo raura so no rai tugae; syangkarive ramu. Arono syusya to Syo tanoane ratayao wasanyut, Risyamo indati syakare Syo wasaugav, indamu rui rati rito nori, weapamo wano rai tavon."



Risyirati Yohanes, wapa arakova pi risy weye
syanaive Yesus ai maisyare muno weapanave
Ai tavon, muno Yesus be akarive wansai

tenambe. Muno risyamo risiuri muno
inatawandi weye itavondi



Yesus ai maisyare
muno weapamo
wasatawandi jo
siuri je rai tavon
weye watawondi Ai.



Sya marova wo inaugaveta ino no nupatimugo
Patmos weye uparijo rinai weye syo Amisy
apa ayao ravov muno syo ayao Yesus po

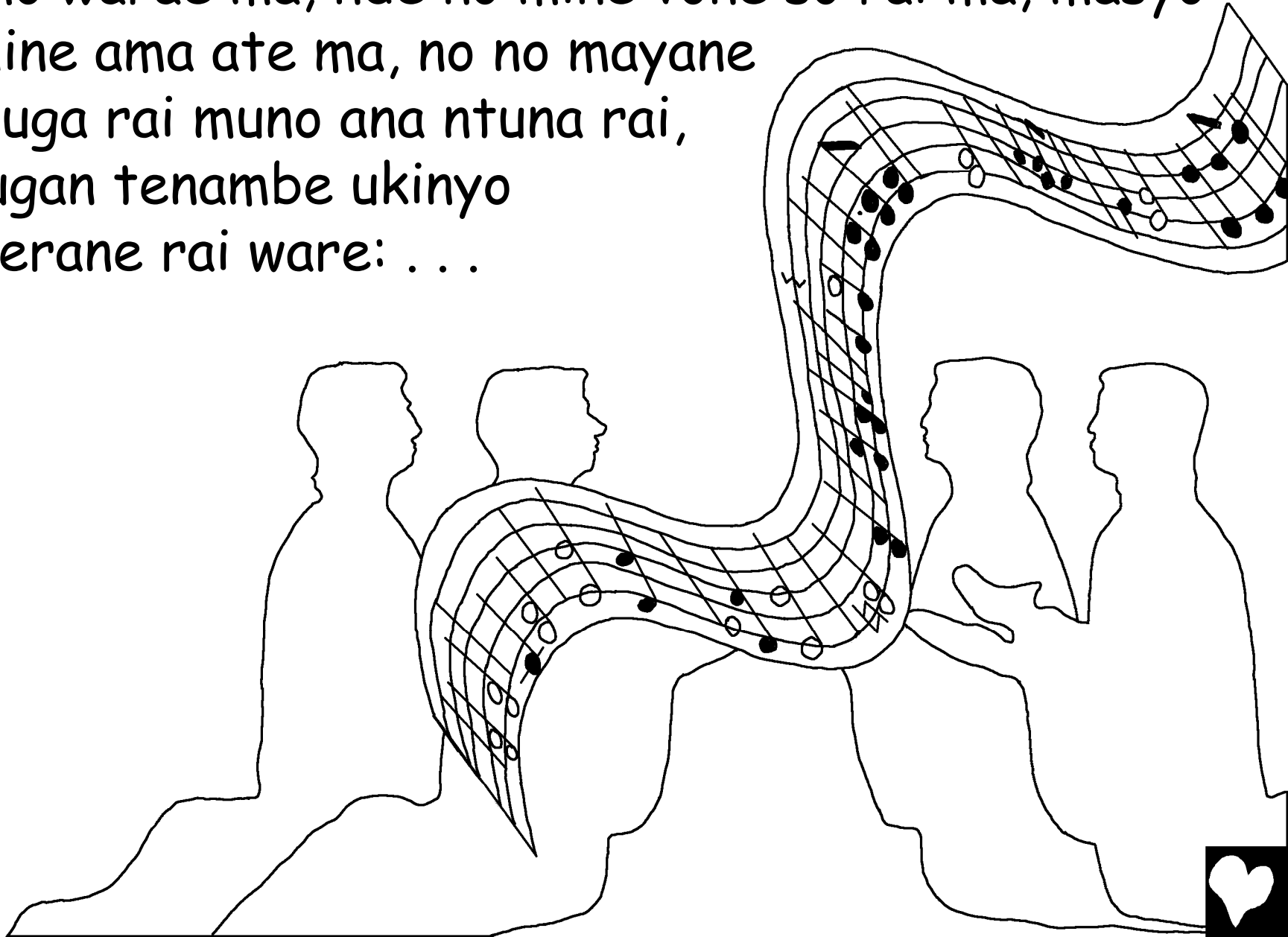
raura we ravovo vatano
wanui mansai.



Naije kobe Anawayo Vambunine mo inausuru
tenambe, ti syo kursijo titi inta raen no munijo ntiti
muno kursije umaso Vatane inta tuna rai.



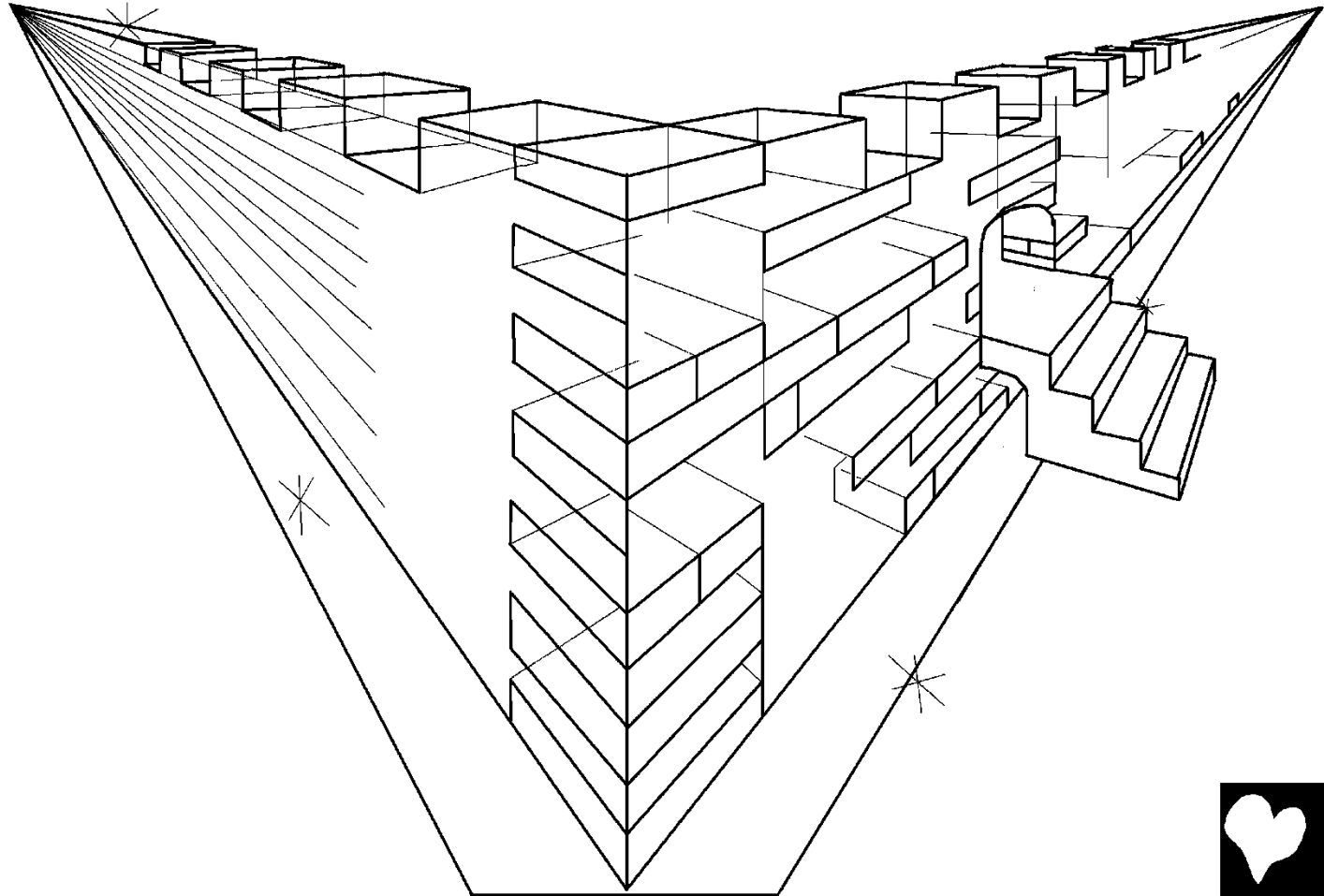
Idaniv akato mamō anakotaro ranari tenambe ti no no
naumo warae ma, nde no mine vone so rai ma, masyo
no mine ama ate ma, no no mayane
ama uga rai muno ana ntuna rai,
wanugan tenambe ukinyo
ansyerane rai ware: . . .



... "Kangkamambe Amisy napi tuna no kursijo
titi raije Ai muno Domba Tuvane ai
tavon! Amisyo winy, reamo
nararimbe muno reamo naijaseo
titive, reamo Nya kovo ntiti
muno Nya vambunine
rararimbea nuge nuganui!"

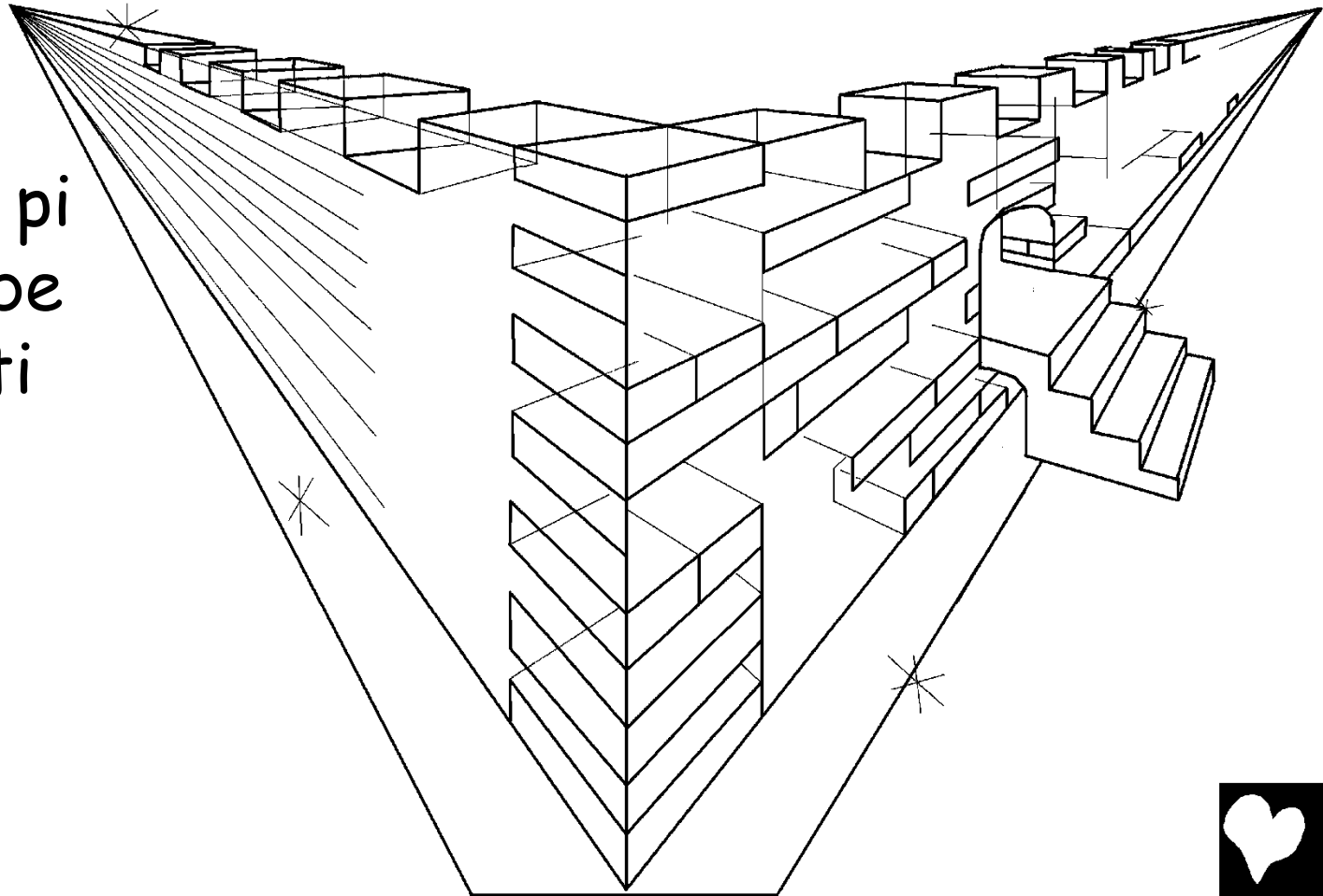


Naije syo munijo ngkakavimbe raen, omamo
Yerusalemo wanyine mijem, wemi no no Amisyey ai no
munijo ntiti muno maje. Omamo rayanyave ti ngko
dave, maisyare wanya rayanyave indamu nsiso ama
ono vauname rai.



Naije syo anamoto akoe inta ranaun no kursijo titi umawe rai mare, "Waperata! Soamo Amisye apa tuna raije mamu raunu aje, weti nte no vatane awa yasyine rai! Indati Amisye no irati vatane matavon tawan tutir, muno onawamo indati

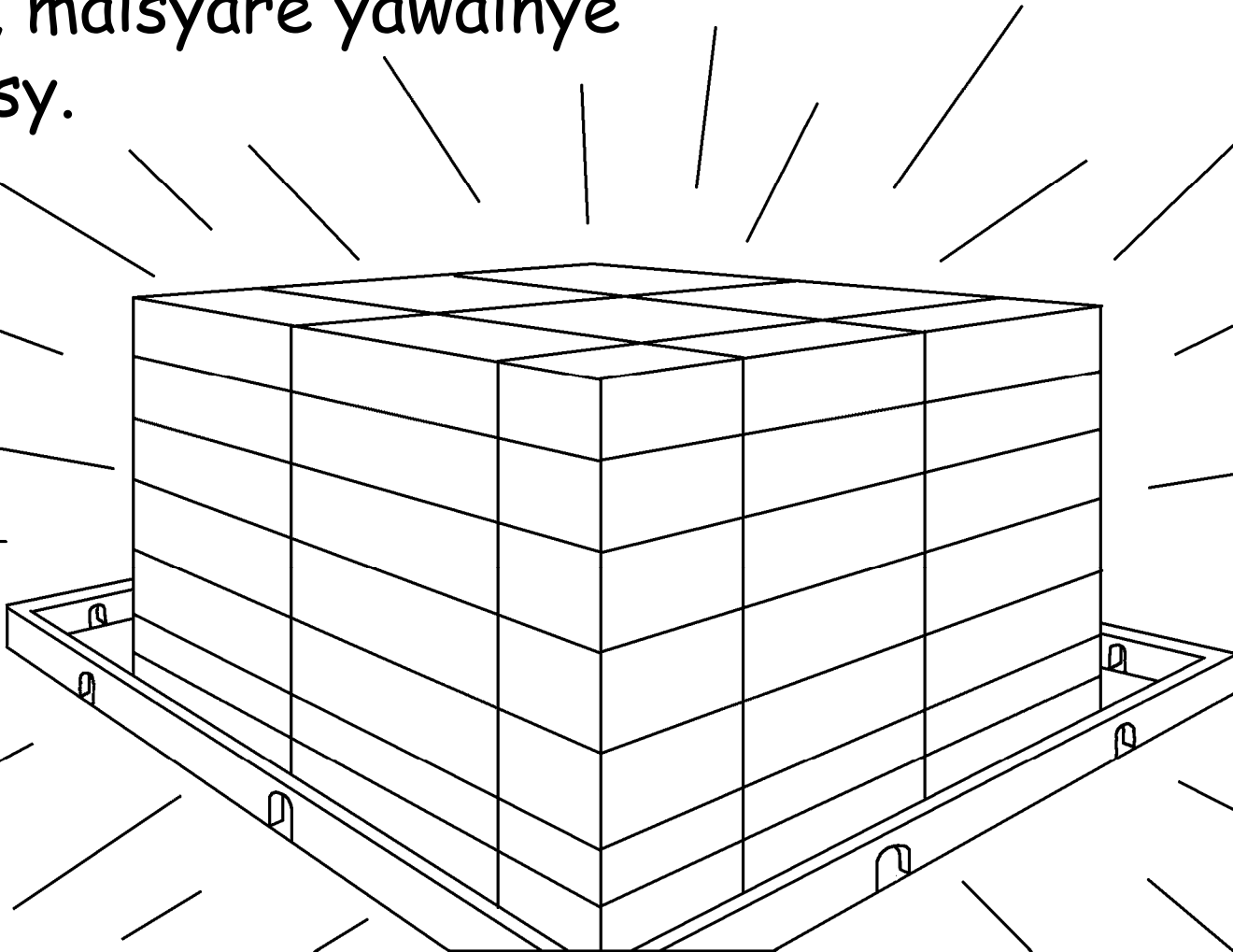
Apa kawasae waino mansai. Amisye taune pi pe una tenambe muno Wepirati awa Amisy."



Naije naito Amisy umawe po mana ami mo kovo nuge
nuganuije raunande raroron irati inai. Mana namije
ndandinit maisyare kansina ramaisy. Njam no Amisye
apa kursijo titi tuna raije rai, omirati Domba Tuvan
apa kursijo titi tuna rai tavon.



Muno uma apa vare raen akatoe ramu muno embae
ama vare raen akatoe ramu, yara Amisye taune pi
baro Apa ngkovo ntiti rave rautan no munijo namije
ama uga rai muno Domba Tuvan taune pi baro rai
tavon, maisyare yawainye
ramaisy.



Weramu ananugo ngkakavin jewene
mamo nsisoe ramu. Muno vatano are
nawirati awa ana udave
ngkakainoanive muno vatano
rui wayarurijabe
wenawamo ude usisa
munije so raije ramu.
Yara vatano awa tame
ratoe rati Domba
Tuvane apa Bukugo
Kovo Nuge Nuganui rai,
webo nawirati ude usisa
munije so rai.



"Muno Amisye apa kawasae
mami ngkaru ntende mamu Po
raupaisy ti mewen dave to.
Wene mamu nande mai jakatoe
ramu. Vatane manimaumbe
muno woyov akatoe ramu muno
siurije nande mai jakatoe ramu.
Weye anakotaro mino wusyin
omamu raumandi to."

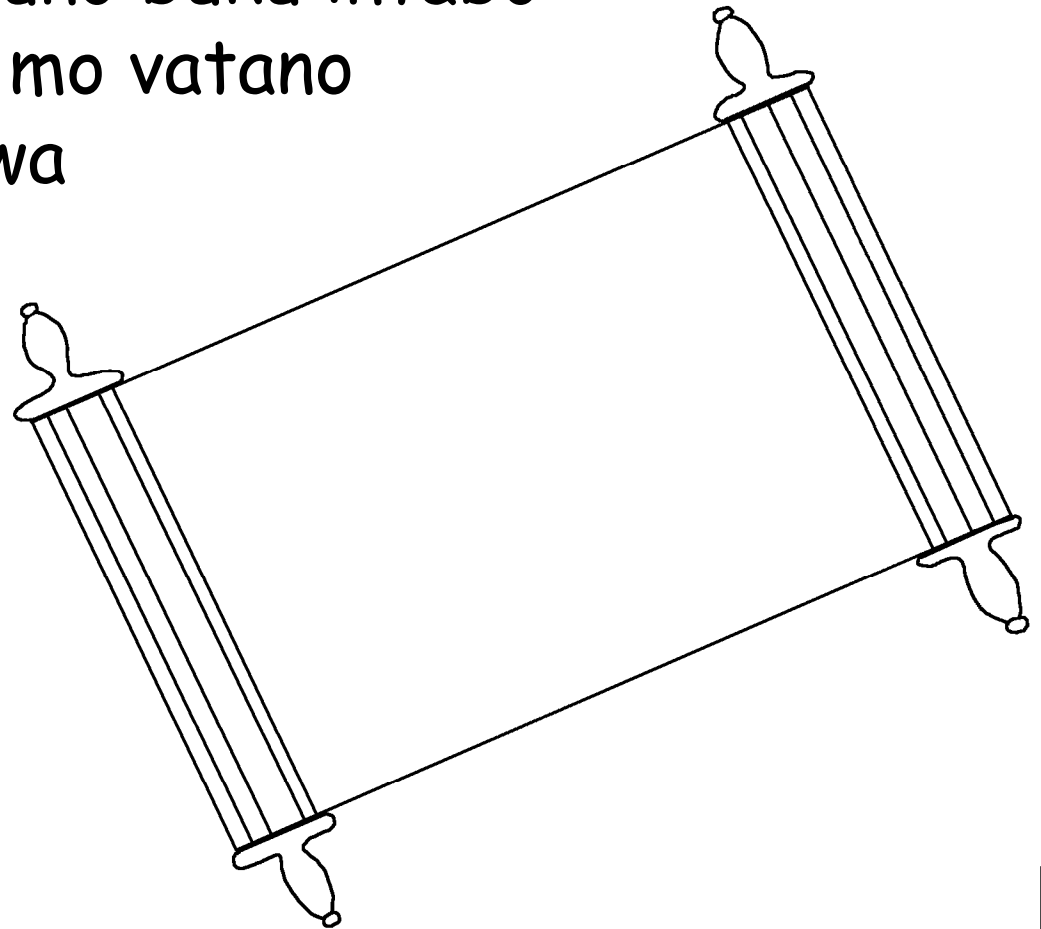


Anaamatan Amisye ma inta no akato vatane mansai no munije so ama uga rai ramu. Amisye apa kursijo titi tuna rai, omirati Domba Tuvan apave rai tavon, ntuna no munijo namije ama uga rai. Umba vatano wanapatambe Amisye ai ube sambayambe Ai.

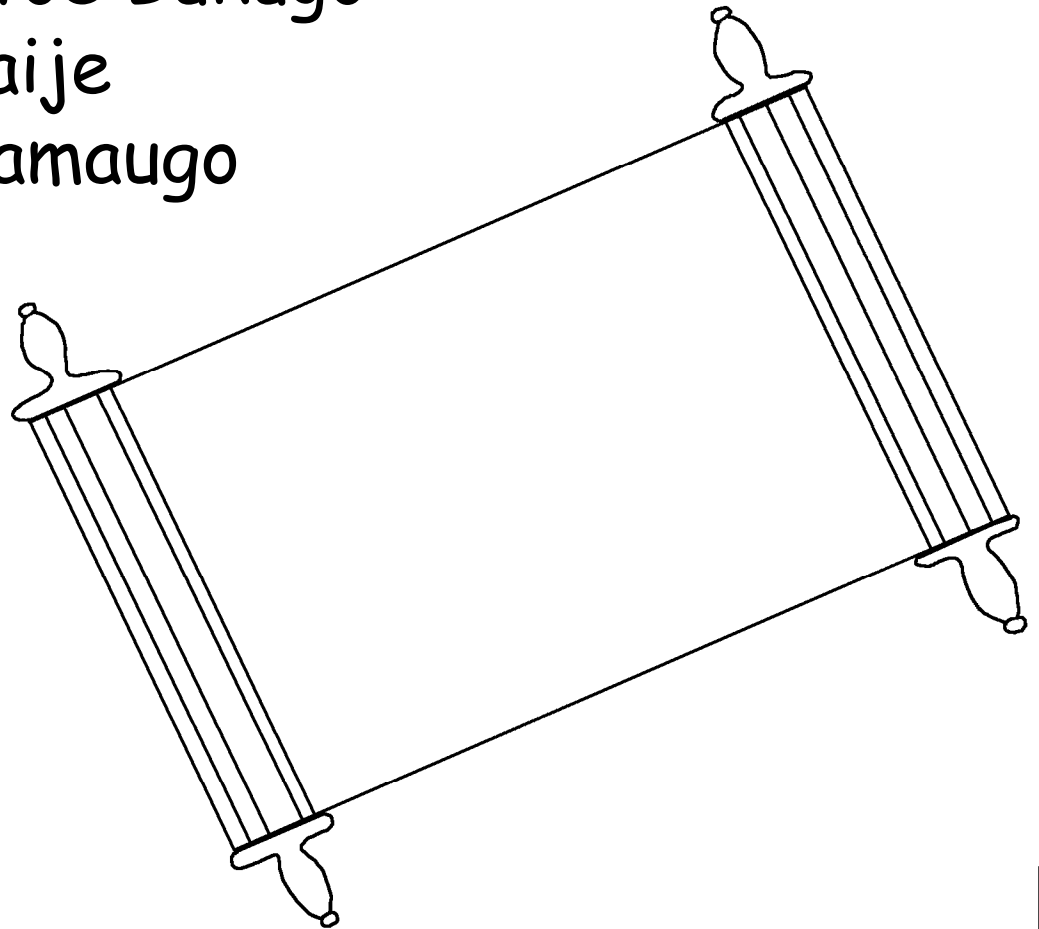
Muno wo Amisye amune ranyanyut muno Apa tame ratoe irati mande rai.



Muno risyo vatano ugwenen to mansaen: vatano akokoe muno vatano mamaun syo mansaen usayai no kursije umawe ama usye rai. Naije buku manui raneka. Buku manui umaso mo vatane awa ana udave ratoe rai tenambe. Muno buku intabo raneka tavon, omamo mo vatano ukova nuge nuganui awa tame ratoe rai.



Naije Amisye po vatano ugwenene awa mangke
rapatimugo mansai, mamaisy irati awa ana udave
rarijati, wemirati ratoe no buku manui
namije rai to. Muno vatano are
nawirati awa tame ratoe Bukugo
Kovo Nuge Nuganui raije
jewene nawamo mansamaugo
tanamo akoe so
rai tavon.



Anawayo Vambunin muno Wanya mo Domba Tuvane
aovan yo raura yare, "Winde!" Vatano are nawirati wo
ayaowe so ranaun, weamo wo raura tavon, "Winde!"
Are pirati awa ngkangkamandi, weamo syare de!



Muno are pirati pare beker, weamo syare de indamu
po mana raugav mawebe vayave, po ravaibe ramu,
mana namirati mo kovo nuge nuganuije raunande.



Weye Amisye muiny irati vatan
tenambe mansai no mine vone so wirati
Po apa Kavo intabo dave aunande
indamu vatano wanave Aije indati
ukakai awa ayao kakai raije
jewen, yara awaura irati
kovo nuge nuganuije
rai.



Roma 3:23 Weye vatan tenambe wo ayao kakai raijaro mansai, weti ugwaravainy irati Amisye ai muno Apa kovo ntiti rai.

Roma 6:23 Ayao kakai ama mano mo raunande mamu wenem. Weramu Amisye apa po raunande mamu kovo nuge nuganui, weye wambe intabove wama Amisy Yesus Kristus ai.

Ibrani 9:27 Amisye po vatane wansapatimu wangkakai mamu intabo kobe. Mewen to, marane mamu Po wansanajo wama ana wandave rai indamu Po ayao mamaisye rapatimugo wansai.



Epesus 2:8,9 Amisye apa kove mbewar ti Po wasapaya wapa ayao kakaije rai arono wapanave Yesus Kristus ai. Wapo taune wasapaya rai jewen, yara Amisye pi po kove umaso raugaje wasai. Weti vemo vatane inta po taune ararimbe nora, weye wapa ana wadaijare muno wapa ana wadave ngkove wemi mbewar Amisye po wasapaya wapa ayao kakaije rai jewen.

Roma 10:9,10 Ranivara nyo Yesus aura kakavimbe nawa rai nyare Opirati Amisy, muno nyanave no no nanuga nyare Amisye po Yesus aijaseo kovakato no wene rai to, wea indati Amisye po napaya nya ayao kakaije ama mangke rai. Weye wamanave Yesus ai no wansanuga rai, weti Amisye pare wamamai no Amune rai. Muno wamanave Ai ti wamo aura kakavimbe wansawa rai, naije Amisye po wansapaya wama ayao kakai ama mangke rai.



Yohanes 3:16,17 Weye Amisye muiny irati vatan tenambe mansai no mine vone so wirati Po apa Kavo intabo dave aunande indamu vatano wanave Aiye indati ukakai awa ayao kakai raije jwen, yara awaura irati kovo nuge nuganuije rai. Weye Amisye po apa Kavo atutir de mine so rai indamu Po mangke raugaje vatano mine so mai mammo jwena, yara indamu Po mapaya awa ayao kakaije rai.

1 Yohanes 5:11-13 Apa ayao mi so: Amisye po kovo nuge nuganuije raunande wansai, muno kove umaso ama ruke no no Apa Kavo Yesusa nui. Vatano wo Amisye apa Kavo aen no manuga rai, onawamo awave kovo nuge nuganuije rai. Muno vatano wantatukambe Amisye apa Kavo ai, onawamo awave kovo nuge nuganuije raije ramu. Syo ayaowe so ratoe more irati vatano wapanave irati Arikainyo Amisye ai, syo ratoe indamu wadaen weapamo wapave kovo nuge nuganuije rai.



Yohanes 14; 2 Korintus 5;
Munije Ama Akari 4, 21, 22

Storyline by: Edward D. Hughes

Illustrated by: Lazarus
and Alastair Paterson

Adapted by: Sarah S.

Yawa NT (yva) © 2011, Wycliffe Bible Translators, Inc.
All rights reserved.

www.bible.com/ur/bible/475/MAT.1

©2025 Bible for Children, Inc.

www.M1914.org

www.bibleforchildren.org

