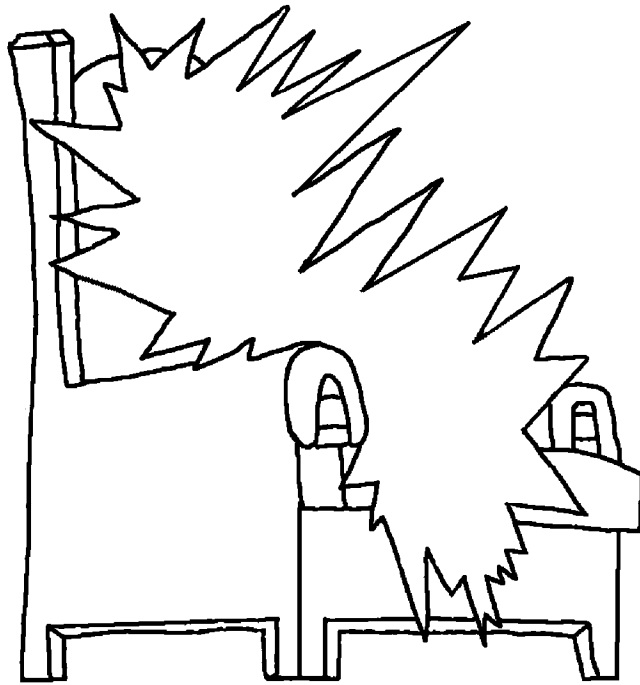


www.BibleForChildren.org

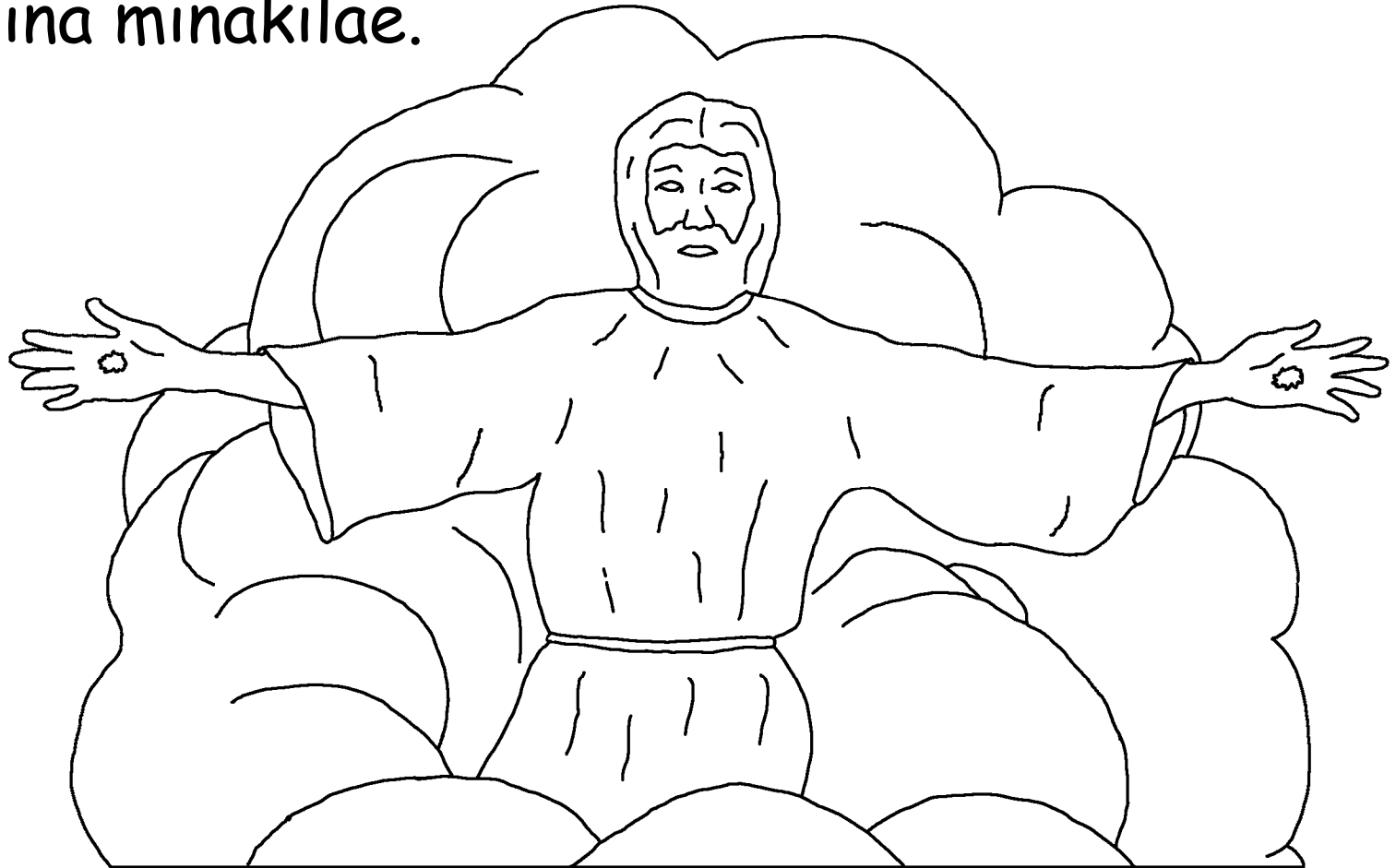
Joni 14



Jisesikaho ga mako sa-loko lo limiye: Mulutipouya
lepa hideko minalo. Sakiya miniki Omaimidanamuya
elewole iki eliki nemodamukiya elewole iki eliki minalo.
Ahoneda numudalauya numuda eba lalo nesago
waitoko ne.



Sako minametidanako, nemokahoya woko numuda ebatipo le lolowa olibetatuwe loko lametine.
Nemokahoya woko numuda ebatipoya le lolowa olibetokoko niseko dilipe-loko yowekoyoko, nemoki magoina minatune. Sakoya nemo minatubo ebakuya magoina minakilae.



ReveNemo wewenatipo Jonikahoya edimokiya
Jisesikumukiye loko Omailimo ujapa
olimikakamidana elewoleya ito

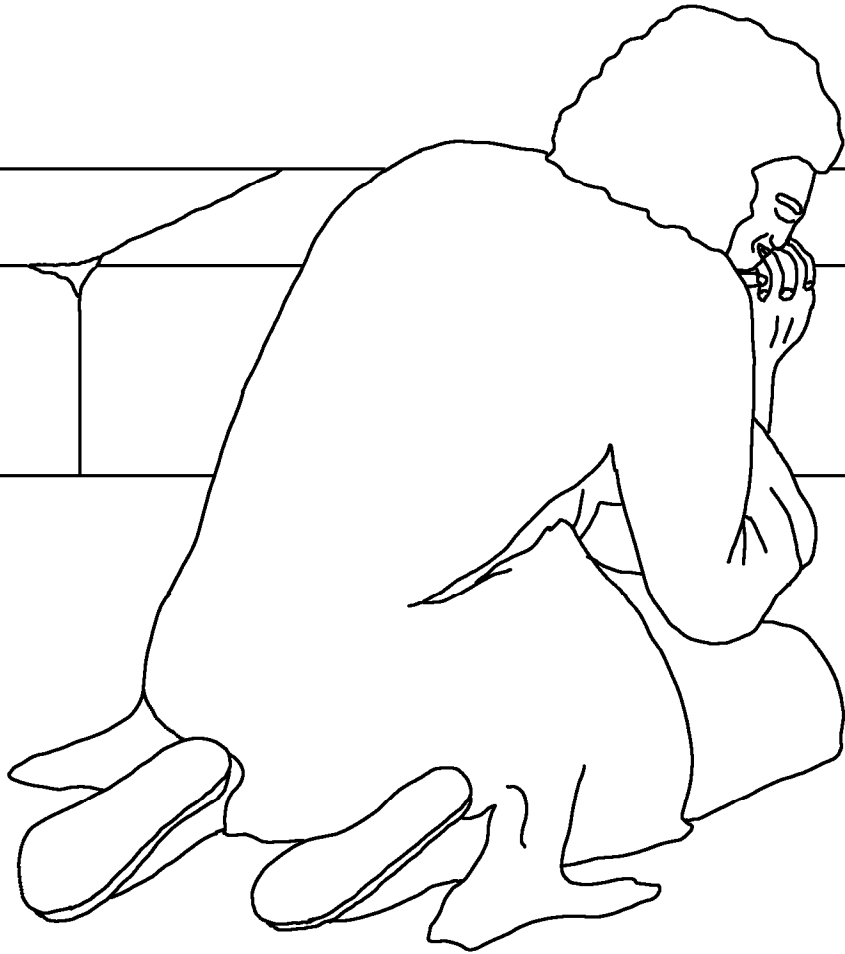
miluma-aluma ito edawaki nesa
ohilitikayoko, ona moloko



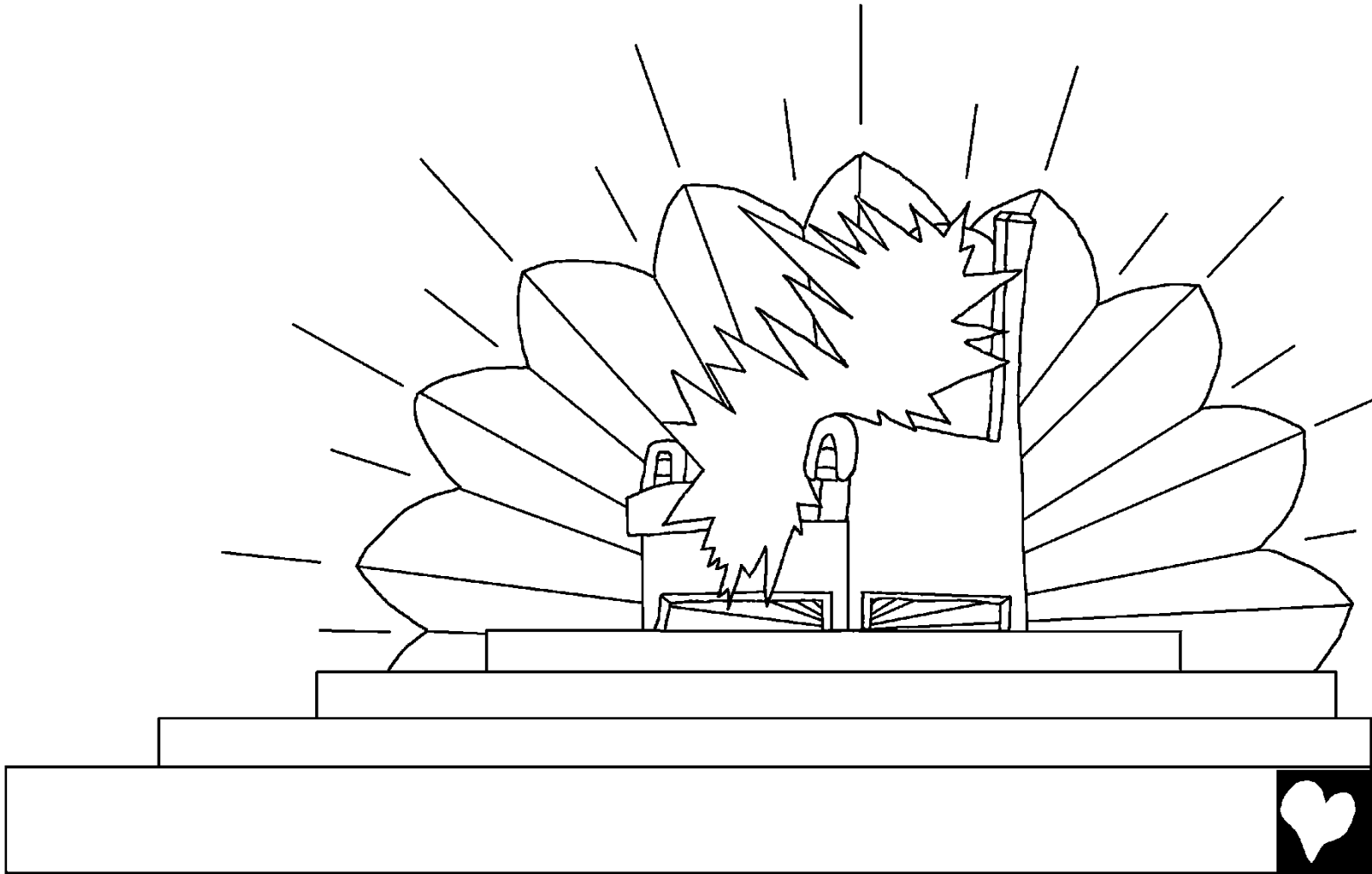
lekudanaki minokaka
noudawo wewenalita
nemo luhuwa maya
je noliboe.



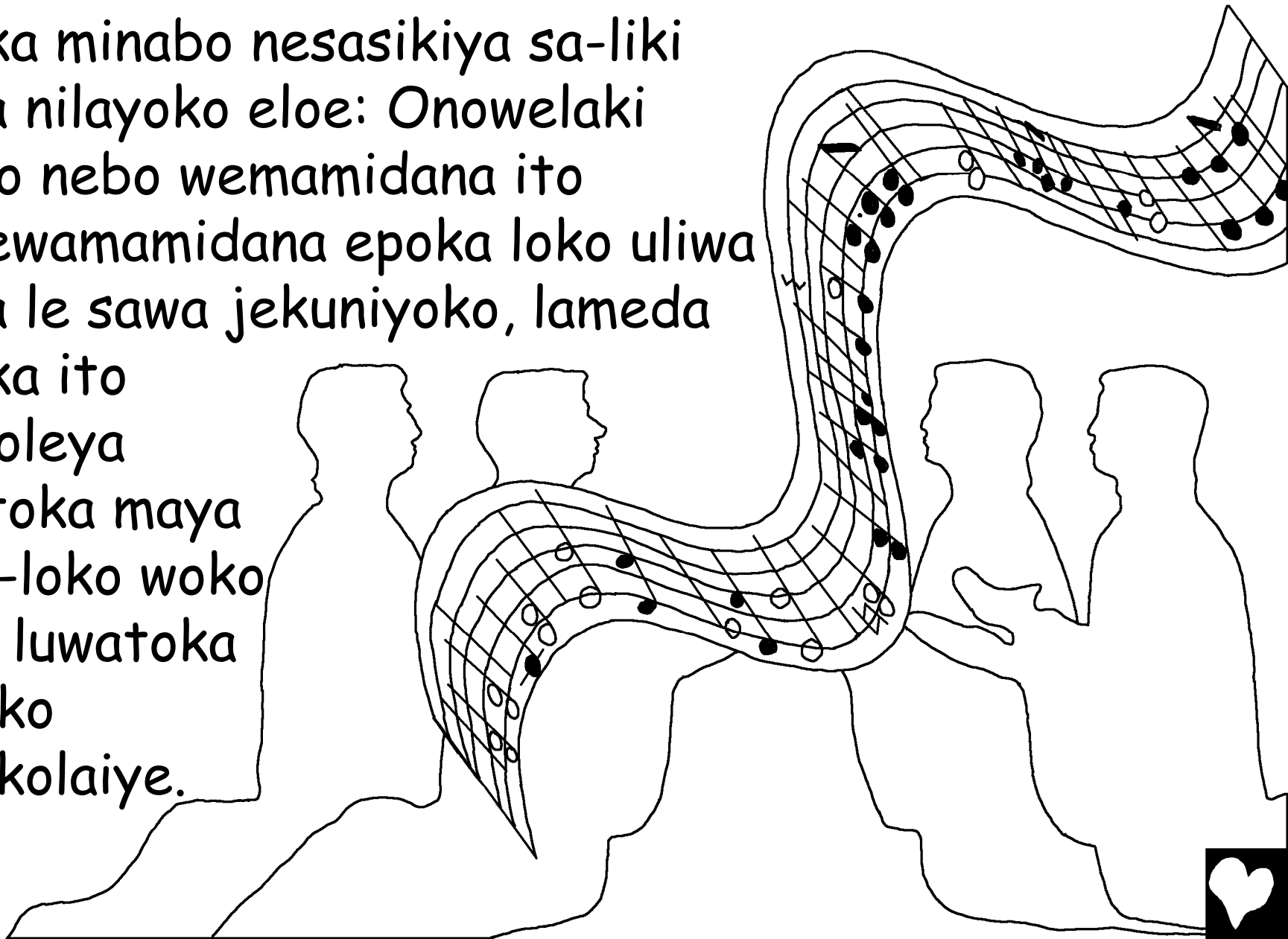
Nemoya Omaimidana gala ito Jisesida uliwa lo soto moloko lobomuye liki Patamo mika owalau maya noli hiki hulikayoko woko minoe.



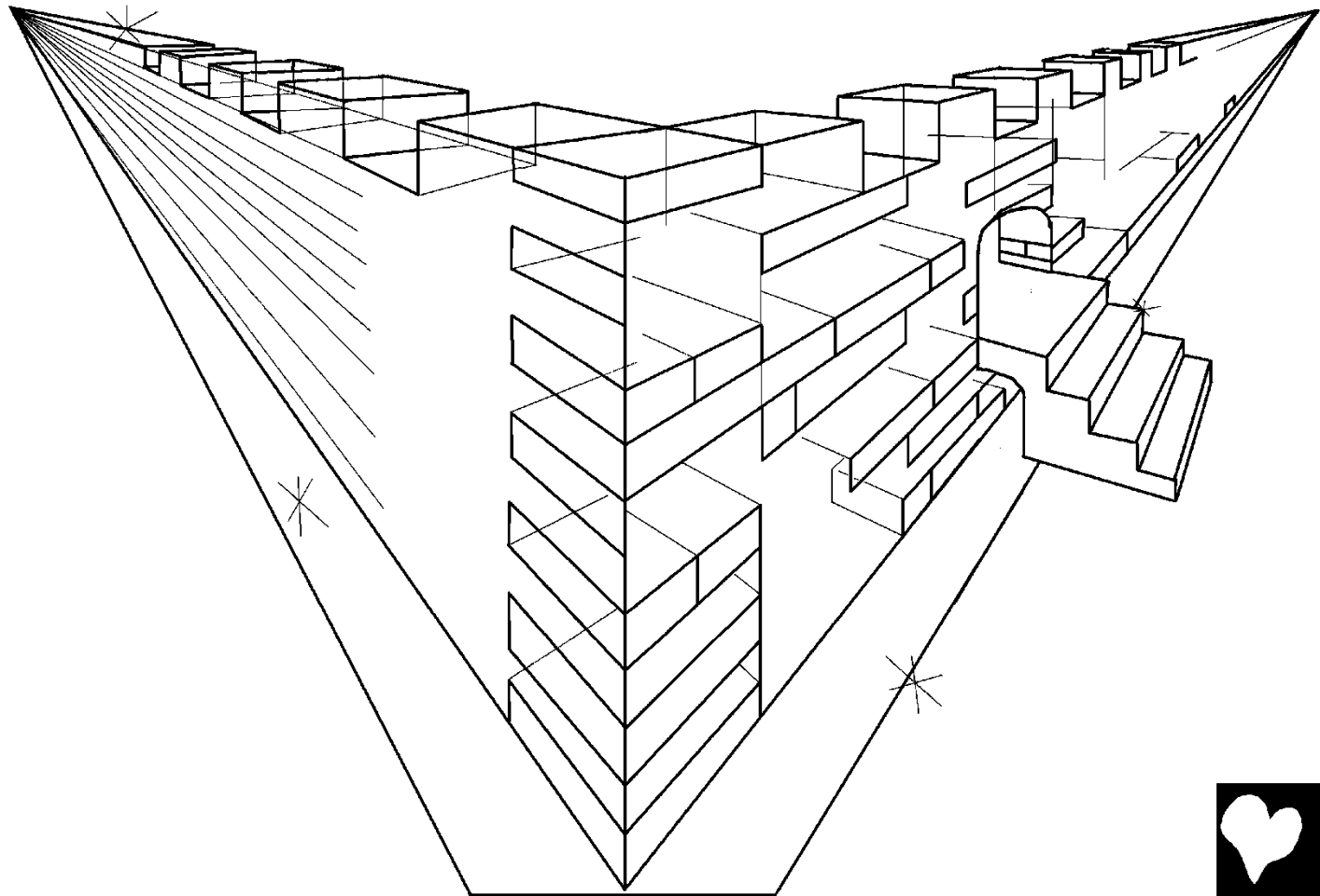
Loko nolibo epakiya Omaimidana weuna oluholimoya
nukane le wili jekaiyoko, okulumau onowelaki siya
mako nebomidana mupilaloya we mako neyoko
mudaoe.



Nemoya muki okulumauka nebo nesa ito maya mikauka
nebo nesa ito mika ulauka nebo nesa ito ela no
ulauka minabo nesasikiya sa-liko
nama nilayoko eloe: Onowelaki
siyalo nebo wemamidana ito
akalewamamidana epoka loko uliwa
maya le sawa jekuniyoko, lameda
lokaka ito
elewoleya
emotoka maya
mino-loko woko
mino luwatoka
moloko
minakolaiye.

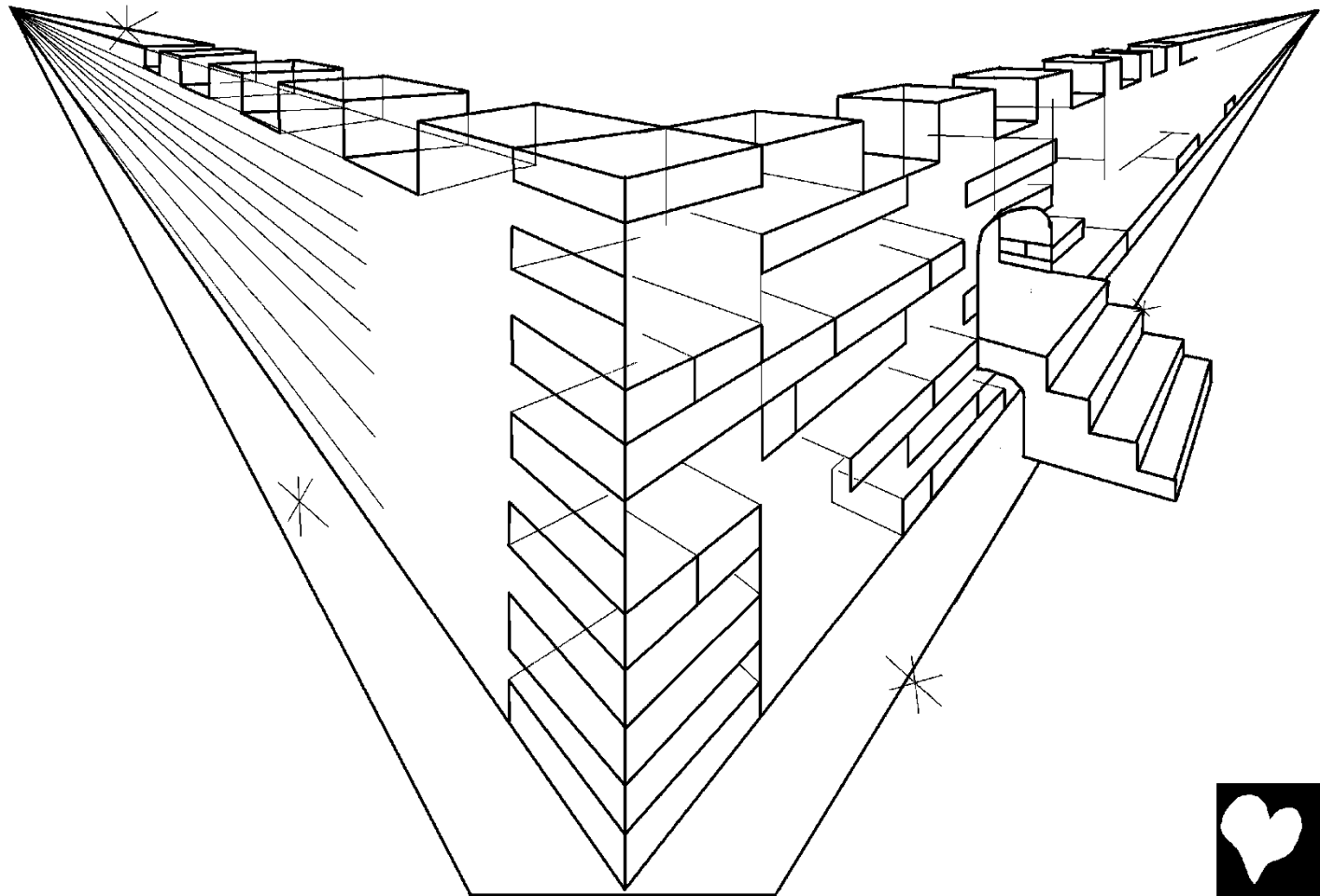


Ito eto onebo eba mako ohatamaya okulumauti
Jelusalemu eba maya Omailoti limiyoko mudaoboya,
we mako menala ada iki limi mikilayoko onowela
kolokoko nebomidana oko neyoko mudaoe.



Sa-okaiyoko, onowelaki siyaloti maya ga napa mako
sa-loko eloe: Mudalo, Omaimidana numudala ebala
maya muki wewenasida dowisaloya soto nopiyo. Emoya
dukau nedeko edimoya wewenala yuha lolo iki
minakilae. Eimolakahoya edimotoka mino moloko

minoko
Omainipoya
minakolaiye.



Okanaki wemamo minowa minowa okaka no makoya
nilipiyoko mudaobo noya uluwitibo no neyoko mudaoe.
Sa-iyoko, Omaiki ito sipisipi jala akalewamaki
onowelaki siyanipolo amaekukati aya ebamidana
luwakuma nowiyoko mudaoe.



Ito Omaimidana onowelaki lamedalalimoya he lameda letiyo, ito sipisipi ja akalewamamoya le lolo okoko minakolainako, aya ebatokaya ukadalimo ito holimo lameda letibo nesa leko minamiye.



Nuwama nesa mako ayauya
yowamekolaiye. Ito owanipo
luwitibo nesa mako litabo
wewena ito suwa-sawa
nesa li-minatabo wewena
aya ebakuya wamikilae.
Ulinipoya Omaimidana
jala akalewalimo
elewole depa mutiwa
li-minabo wewenasida
dulinipoya bukugu
luhuwa je molaibo
wewenasigoya aya
ebakuya yowikilae.



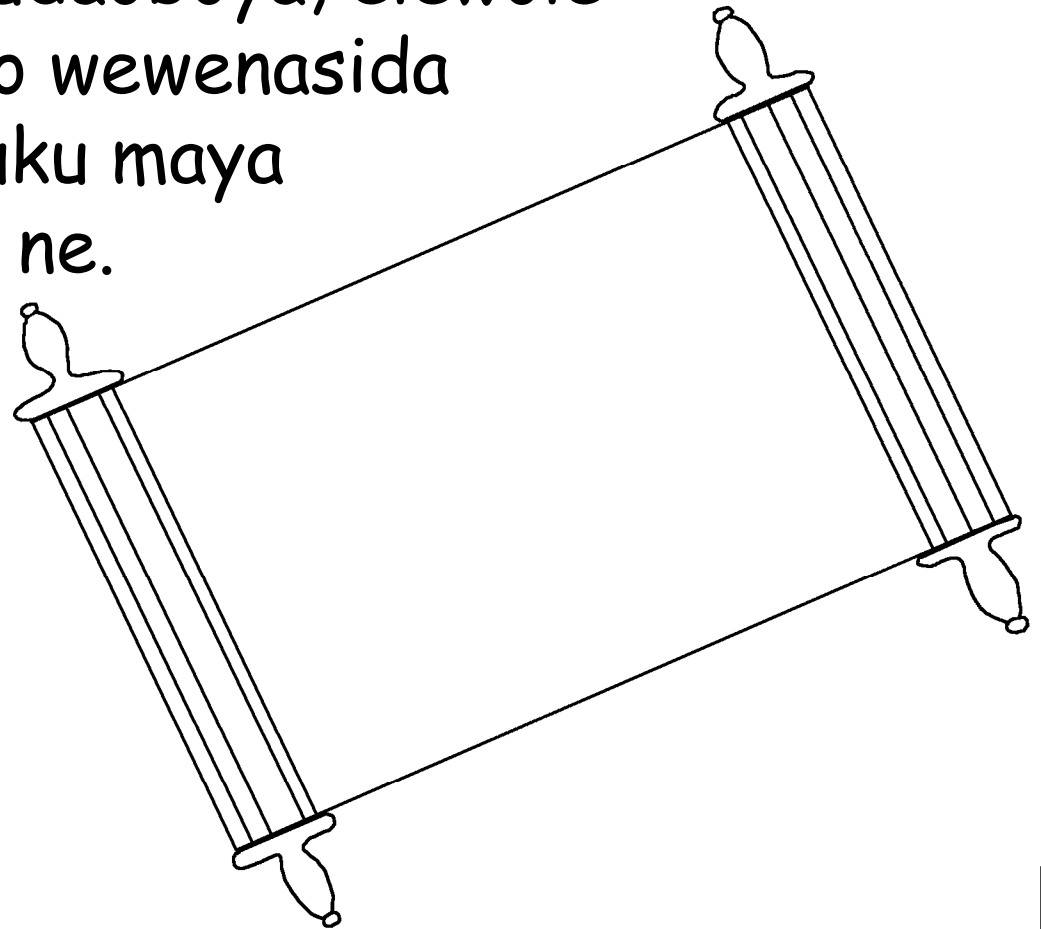
Omailimo eimolakahoya domuda
nouvala le hulakolaiye. Heleko
wije nama oko miluma eleko
lelote lelote wokaka nesa maya
lina suwokadeko aku soto
pamekolaiye. Yamidana asehawa
nesaya woko aha nesa lolo
ekolaiye, loko liye.



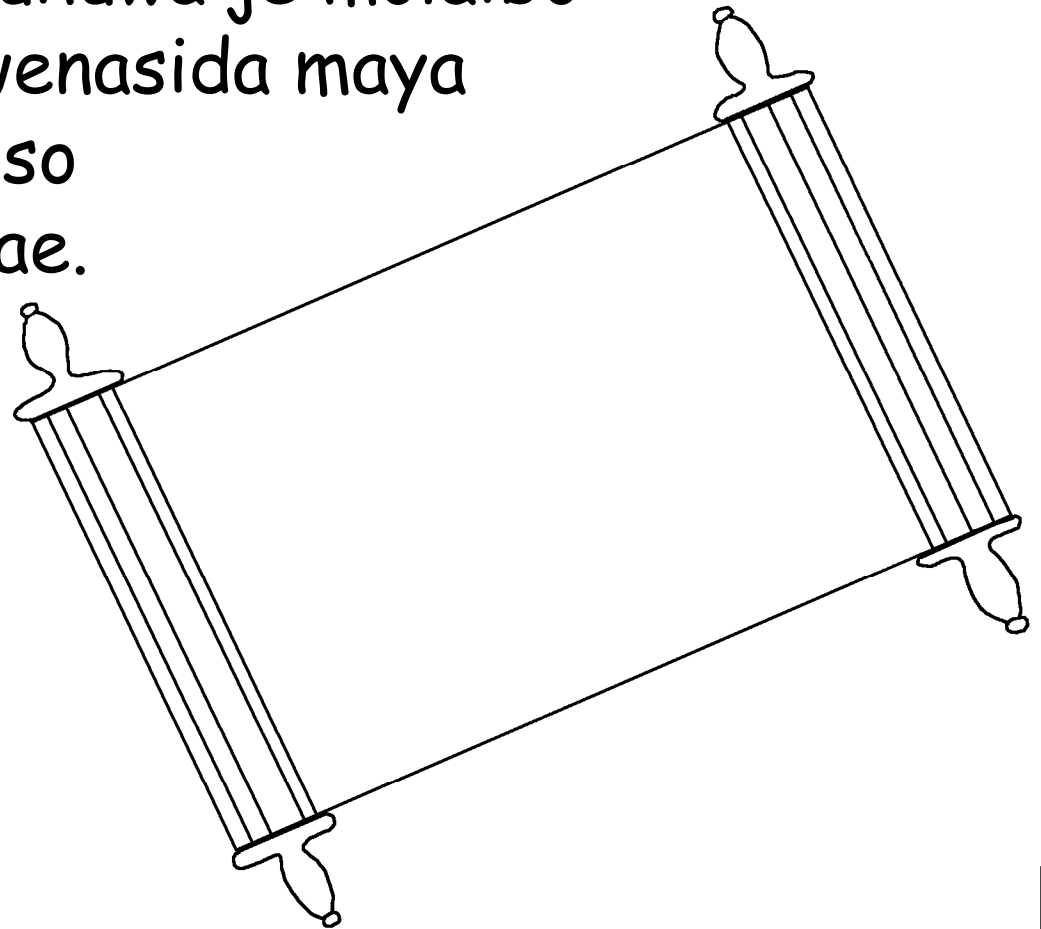
Sa-oneboya, aya ebakuya nosamibo nesa mako
minamekolaiye. Omaiki ito eimola sipisipi jalakiya
onowelaki siyanipoma yauya soto pekadeko, muki
wewenalale yuhasiya elekele itiki minakilae. Ito okepa
omudala maya
muda-minakilae. Ito
uliwamidana
luhuwala maya
domodaloka yowaya
soto pekadeko
minakilae.



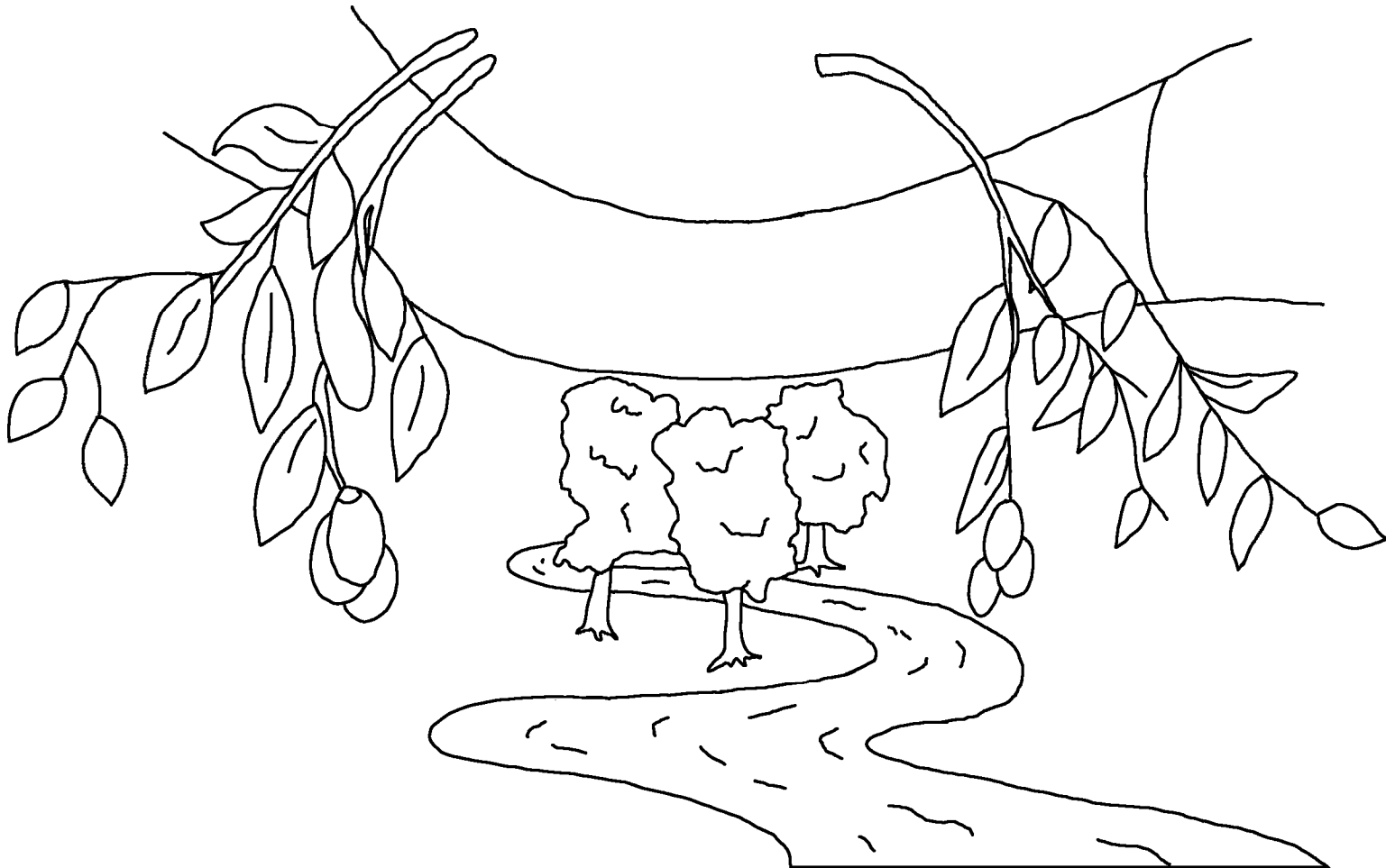
Ito helebo wewena muki yowi-minabolawa ito
limi-minabolawaya onowelaki siyamalo Omaimidana
okepaloka nisiki sini-minayoko mudaoe. Sa-niayoko,
siyalo nebo welimoya buku mako leko talone.
Makoya le taliyoko mudaoboya, elewole
depa mutiwa li-minabo wewenasida
dulinipo je molaibo buku maya
molo amaitoka oikoko ne.



Sakoya minoko helebo wewenahena maya omutiki aha
miniki iki moliki abo monawanipohenamuya aya bukugu
luhuwa ji-minaboto obi yowanu nolebetaiyoko minae.
Ito wewena makoya elewole depa mutiwa li-minabo
wewenasida dulinipo luhuwa je molaibo
bukugu minamibo wewenasida maya
joki nohuku maya dipiso
hulikaiyoko limiki minae.



Omainidana weuna oluholimo ito sipisipi jalakidana
menakidana minabo wewenasiya niso liki likaka niae.
Sa-onenako, maya gaya elitabo wewenasiya asaikiya
niso liki litabokumuye.



Ito minowa minowa oko minokaka nomuya delokadeko
maya nisiki malokatiya hiki natayo, nisilo. Aya noya
natune liki maya meinawa minametibo aha yatoka
nisiki natayo, nisilo.



Omaiya numuto namato wewena
milumate eliboya napa-napa neyoko,
ipala makoko maya ne lamoko lemodaya
limiboya emodamu elewole iki data
kitabobo wewena maya wiki tolowa
amiki minowa minowa depa
mutiwa liki minatae
loko sa-iyē.



Lomu 3:23 Muki wewenasiya lahelamibo nesa lolo
udawomuye loko onowelaki lamedalauya woko
letudawo nesa minamiye.

Lomu 6:23 Yamidana monawaya lahelamibo nesa lolo
okakamidana meinawaya helikaka nesa likilae loko
eletune. Ito Omailimo nasahilila maya aha nesakidana le
oheletokaka noibomidana ihilawa maya We napate Jisesi
Kalaestitoka woko omeko minoko elewole
lepa mutiwa lekolune.

Hibulu 9:27 Wewenalita, yu makoko heletune loko ito
yamidana mupilaloya lihimatemuya obi etune
loko loletoneboma ne.



Ipisiyoni 2:8,9 Eli-minahe. Ele elewole udawomuye loko nasahili oletaidanaki lilimiye. Sako Omailimo meinawa minamibo aha lilimiye. Sa-iboya lemote elewoleyateloti minamiye. Lemoya nena yowanuma letuniyoko olisateuti lilimibo ne. Yowanu mako letamune. Sa-onenako, lupate leko yowetudawoto minamiye.

Lomu 10:9,10 Lukadunuya Kalaestidamu elewole oko eletudawoya lihimate suwokadeko minatudawo ne. Ito lepalotiya Jisesida uliwa lo soto molatudawoya Omailimo lahelametibo nesauti lilimitibo maya nenako, yamuya sa-loko lo soto molokaka nounce: Jisesiya nemo We napane ne loko epaloti lo soto molatadawo, ito helenebokuti Omailimo ilime sinaibo ne loko ukadunu elewole oko elitadawoya, Omailimoya lahelametibo nesautiya ilimekolaiye.



Joni 3:16,17 Omaiya numuto namato wewena milumate eliboya napa-napa neyoko, ipala makoko maya ne lamoko lemodaya limiboya emodamu elewole iki data kitabo wewena maya wiki tolowa amiki minowa minowa depa mutiwa liki minatae loko sa-iyee. Ito ipalakahoya maya mikau wewenasida miluma nesa le bituwe loko lemamiye. Lahelamibo nesauti maya lilimitiye loko Omailimo oli hekaiyoko lemene.



1 Joni 5:11-13 Ito ipalada monawalamu ilimeko gala liboya sa-loko ne: Omailimoya elewole lepa mutiwa le lemekaiyoko, elewole oko minokakamidana monawaya ipalaloya ne. Omaimidana ipaladaya li ikitiki li-minatabo wewenasiya elewole depa mutiwa li-minabo ne. Ito Omaimidana ipalada li ikitiki lamitabolawasidamuya elewole oko minokaka nesa lamae loko letune. Omaimidana ipaladamu eli elewole i-minabo wewenalitaya elewole lepa mutiwaya alo le-minune liki data lowe kamiki wehe liki elitae loko ga maya luhuwa jeko lo noliboe.



Joni 14; 2 Kolinti 5; Levelaisiyoni 4, 21, 22

Storyline by: Edward D. Hughes

Illustrated by: Lazarus
and Alastair Paterson

Adapted by: Sarah S.

Yaweyuha NT (yby) © 2014, Wycliffe Bible Translators,
Inc. All rights reserved.

www.bible.com/bible/1387/MAT.1

©2025 Bible for Children, Inc.

www.M1914.org

www.bibleforchildren.org

