

[www.BibleForChildren.org](http://www.BibleForChildren.org)

Jonah 14



Jizaazai gamireraavi widina "Sarinnya simunyangi simuyiwaala myawipina! Gotiyari dilimwagyila! Nabaai niminyi dinyilimwagyila! Nimaamaangere angevi ku'dika tewaanya kwalaalya yarinikengi. Sangi sarimi dimwaalyide'na yovigalakaawideinyi."

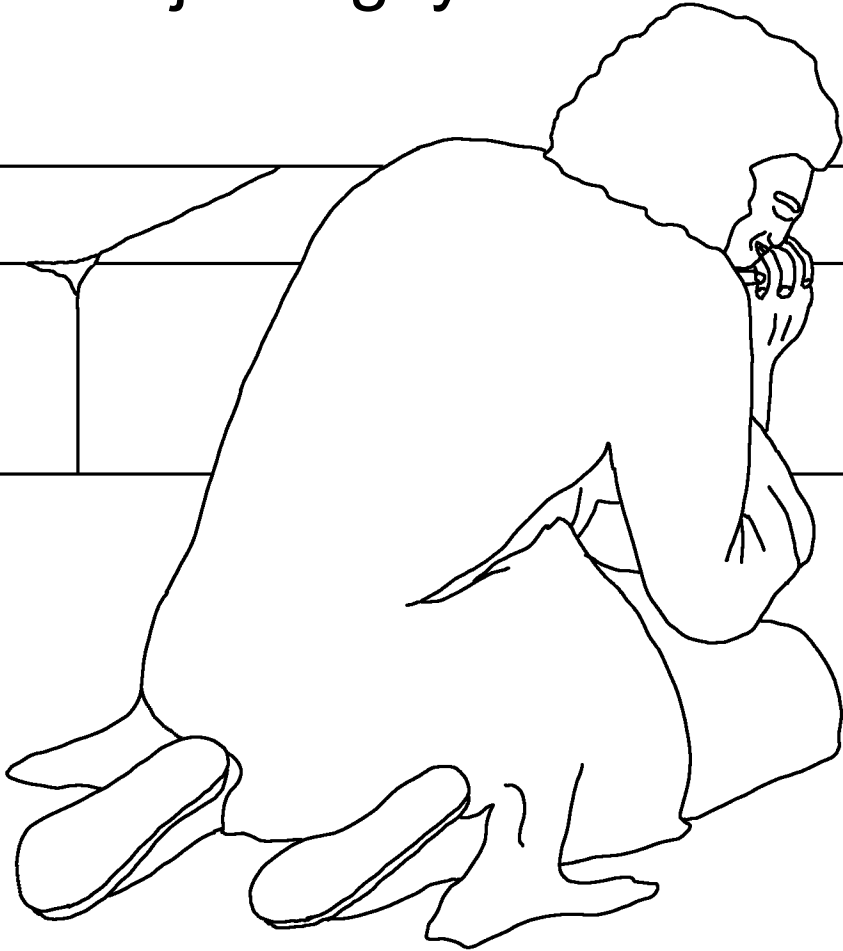


"Sabwi mwarya' kwaji savina muji kyihwidika!  
Kaanna wiwija' saba sariminyina yovigalakiwija' ayina  
ba'muri 'Nimi mwaaimujawi sarimi dimwaalyila!' da'muji  
niminyinehiri yihimaarideinyi."



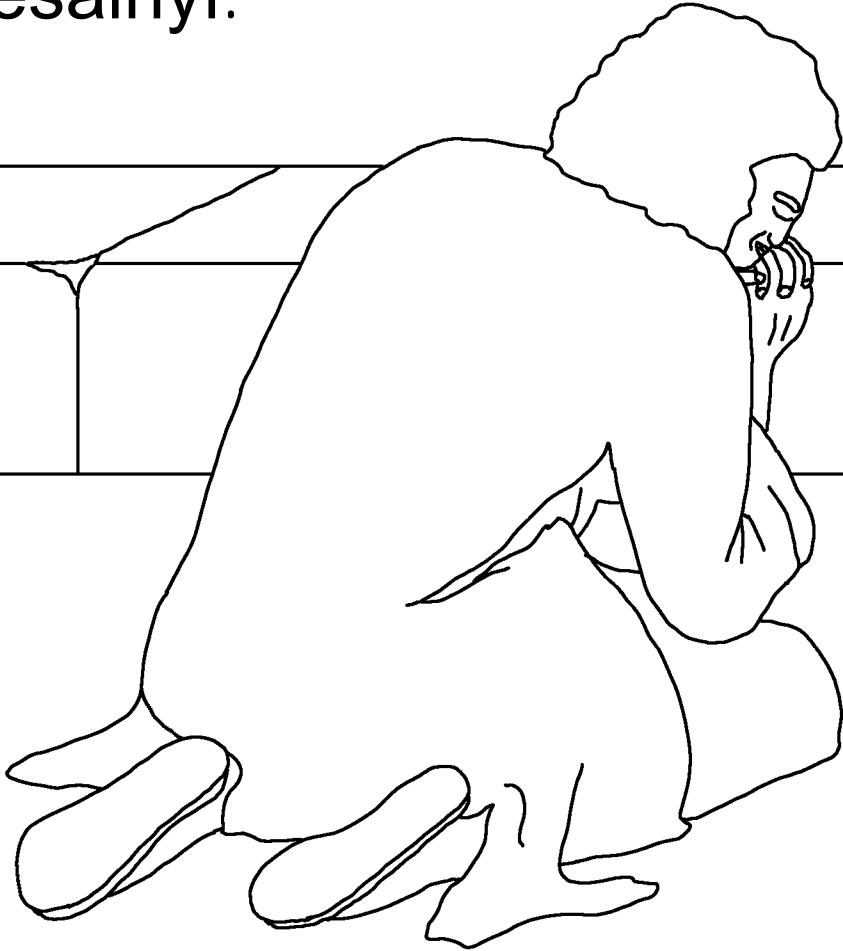
Nimi Joninnyi sariminyi sirya'mweinyi. Nimi sarimiji  
Jizaazari taanginyaviji Gotiyai nemaremwaideviji  
taanga nejaavadiyi' diraginna

da'daanyaburiji sangi ye'mwannamwaaidinyainyi.



Sareinyi Gotiyare yagaalya' wijiwakamarye'naji  
Jizaazarina jalikurakene'naji Ahu'manna  
Paatimozi wo'nikeba kalavuzza

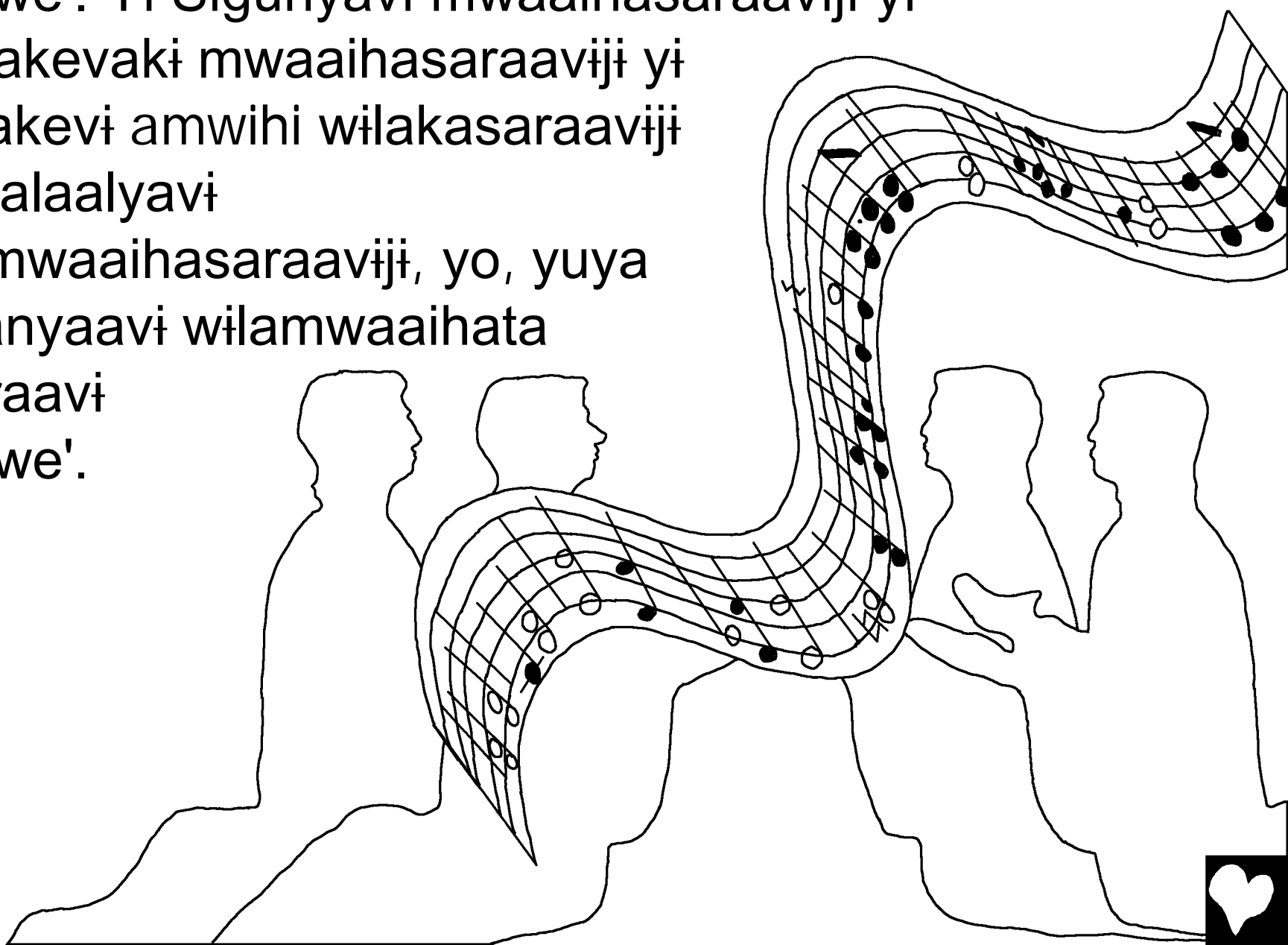
nyimaaresainyi.



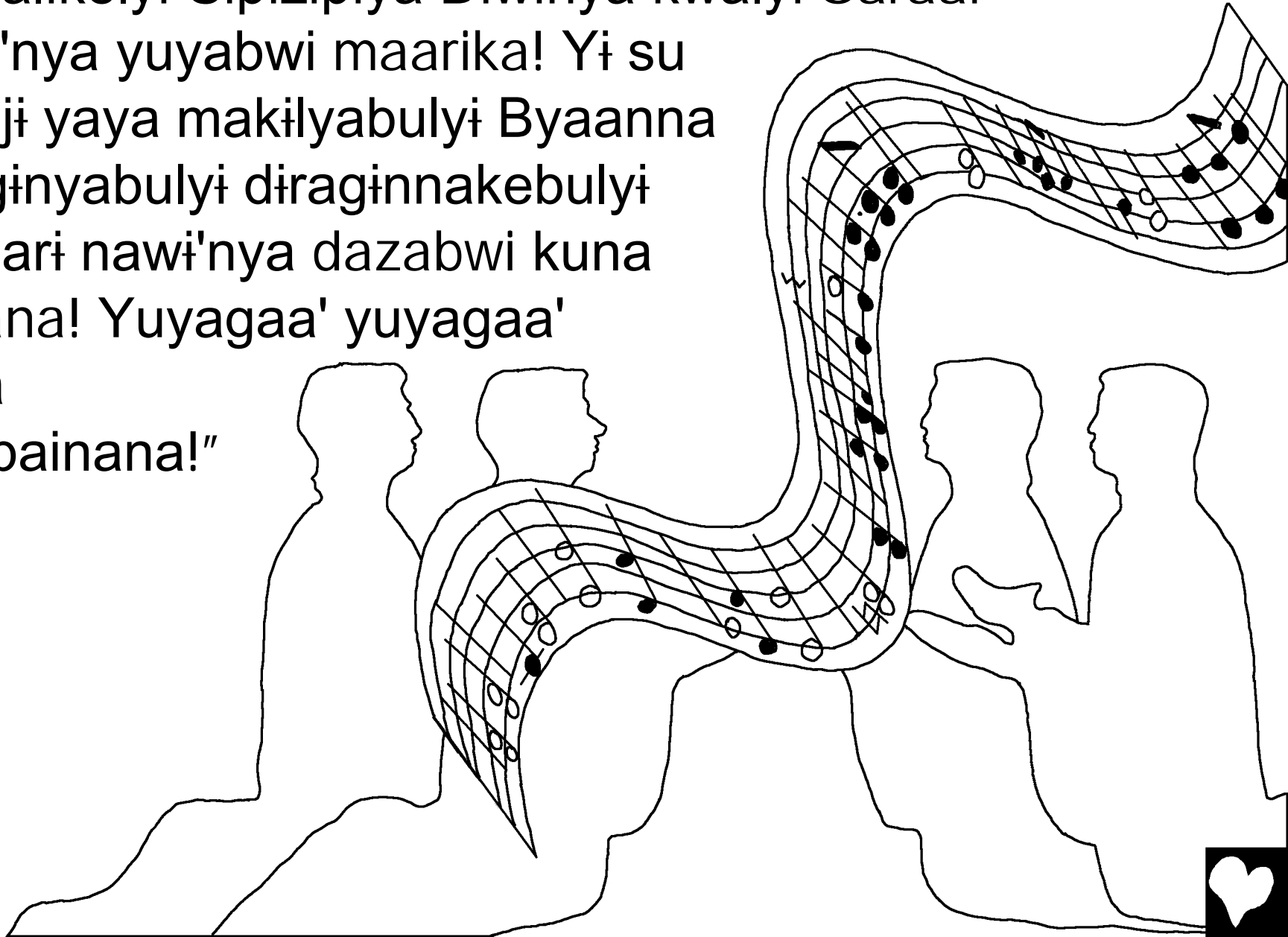
Yi yime'nya'bi' nimiriyi Kurya Tewaanyai diraginna  
bulamwaaina nyiwa'. Yithaanyi, Sigunyavi saba  
kinginamwaalyita piri' daa'di'nyiya' tinna wanganna.  
Nabaai pwai yuyaraavi maremwaalya'nei namwaalyita  
dazavi yilamwaaidi'nyi wanganna.



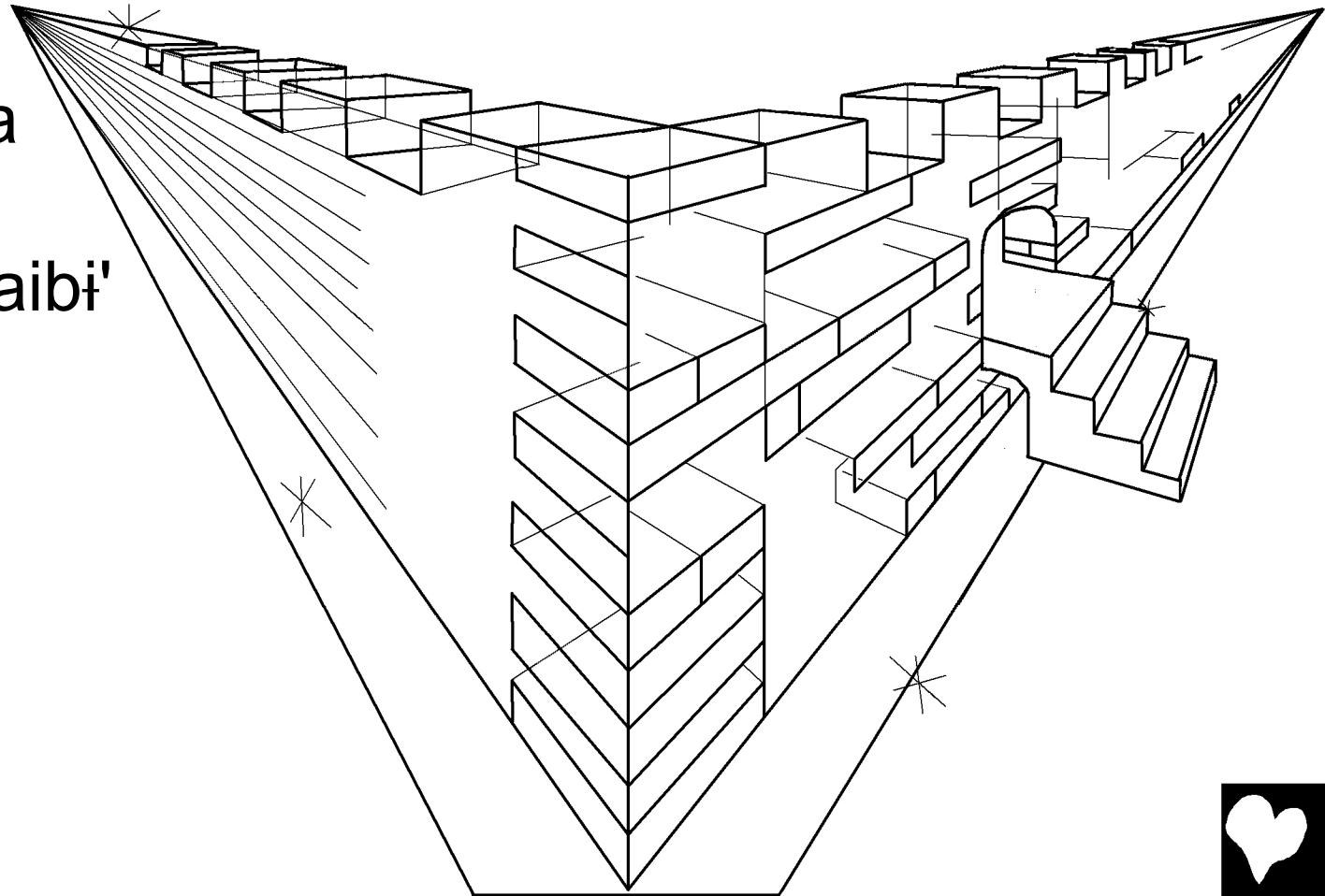
Yi n̄im̄i Gotiyai yuya wakyaaaka kwaraavi kadika  
wi'n̄iwe'. Yi Sigunyavi mwaaihasaraaviji yi  
Kwaakevaki mwaaihasaraaviji yi  
kwaakevi amwihi wilakasaraaviji  
yi saalaalyavi  
wilamwaaihasaraaviji, yo, yuya  
sabanyaavi wilamwaaihata  
kwaraavi  
wi'n̄iwe'.



Sahwara dara diwaa': "Kinginamwaalyita savi  
mwaalikelyi Sipiziya Diwinya kwalyi Saraai  
nawi'nya yuyabwi maarika! Yi su  
suyaji yaya makilyabulyi Byaanna  
diraginyabulyi diraginnakebulyi  
Saraari nawi'nya dazabwi kuna  
warana! Yuyagaa' yuyagaa'  
kuna  
waribainana!"



Nabaai nimi tinna wangamwa anga tewaanya dazaba Jeruzaalemi mudikeba. Anga naanga dazaba Gotiyai yasaabina kywa' Sigunyavidaa'nyi anga daza' walaabina. Nigwilalaa'baaka nawi'nyajiya', a'mwe' kwala maarya'ne' nigwilalaaka nawi'nyaange tida kwala maa'nya' negaa' gannya a'mwerina yemwaaidevaabi' walaabina.



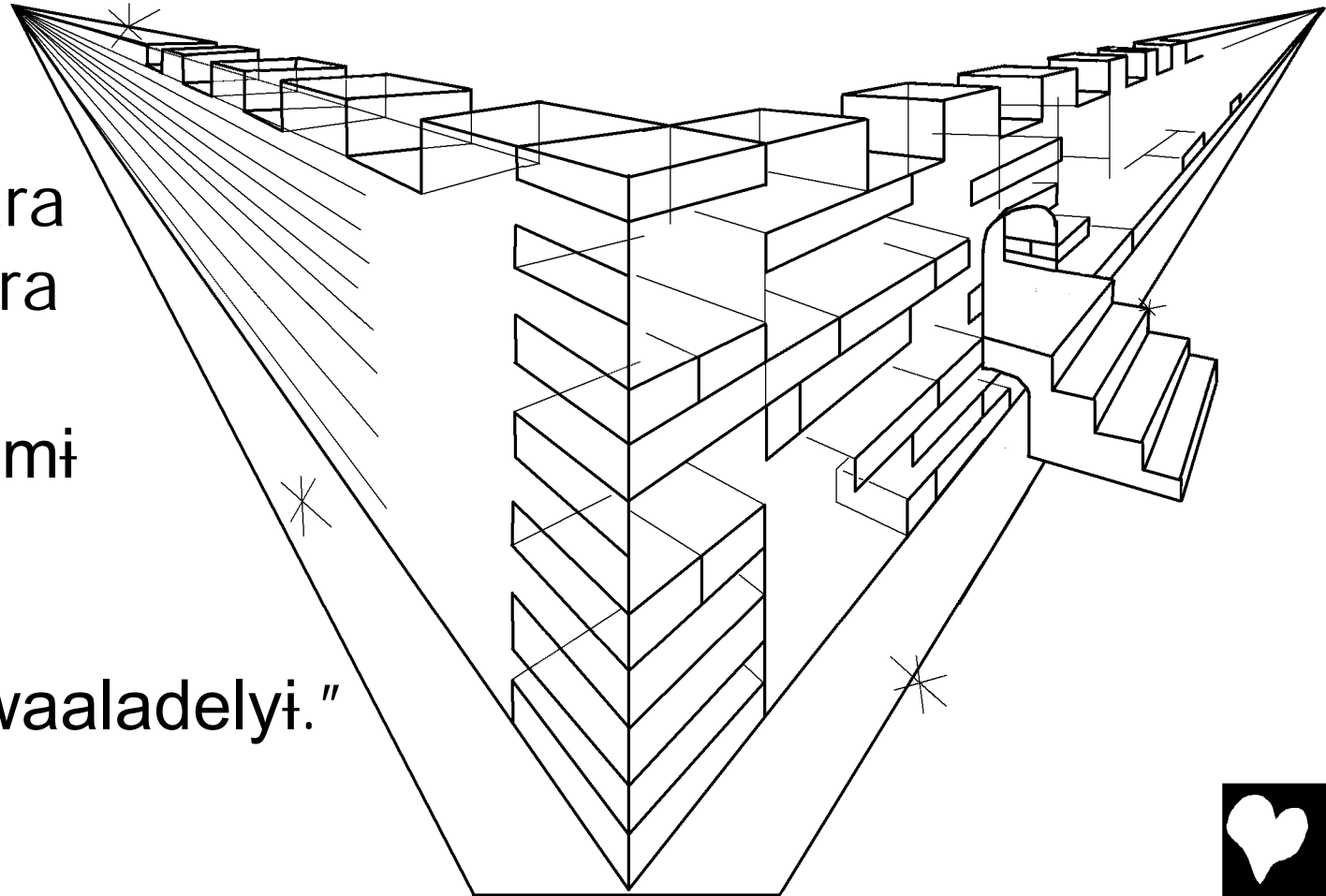
Sare' nimit kadika wi'nyina yadaazi  
kinginamwaalyisavidaa'nyi maangwiraaya piri' yinyina.  
Yi jaka naanga diraginna dara dina "Yithaanyi! Dahaa'  
Gotiyare seli ange' a'mweraji ye'mwannamwaalika!  
Sahwaraavi tinnyaba waradesi. Yi gamire byaannya'

kuminyi ye'  
mwannarika!

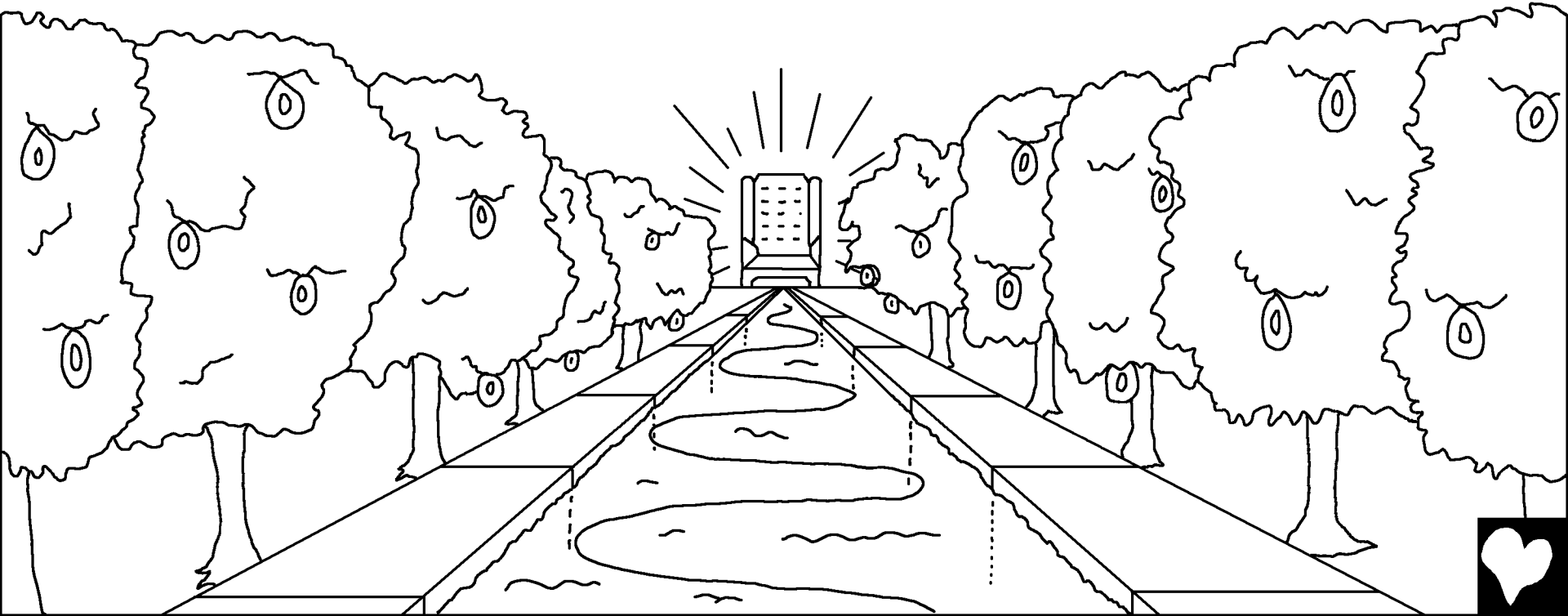
Nabaai sahwaraga  
gami sahwarera  
mwaabi'dere.

Yo, Gotiyai gami  
kwalyi

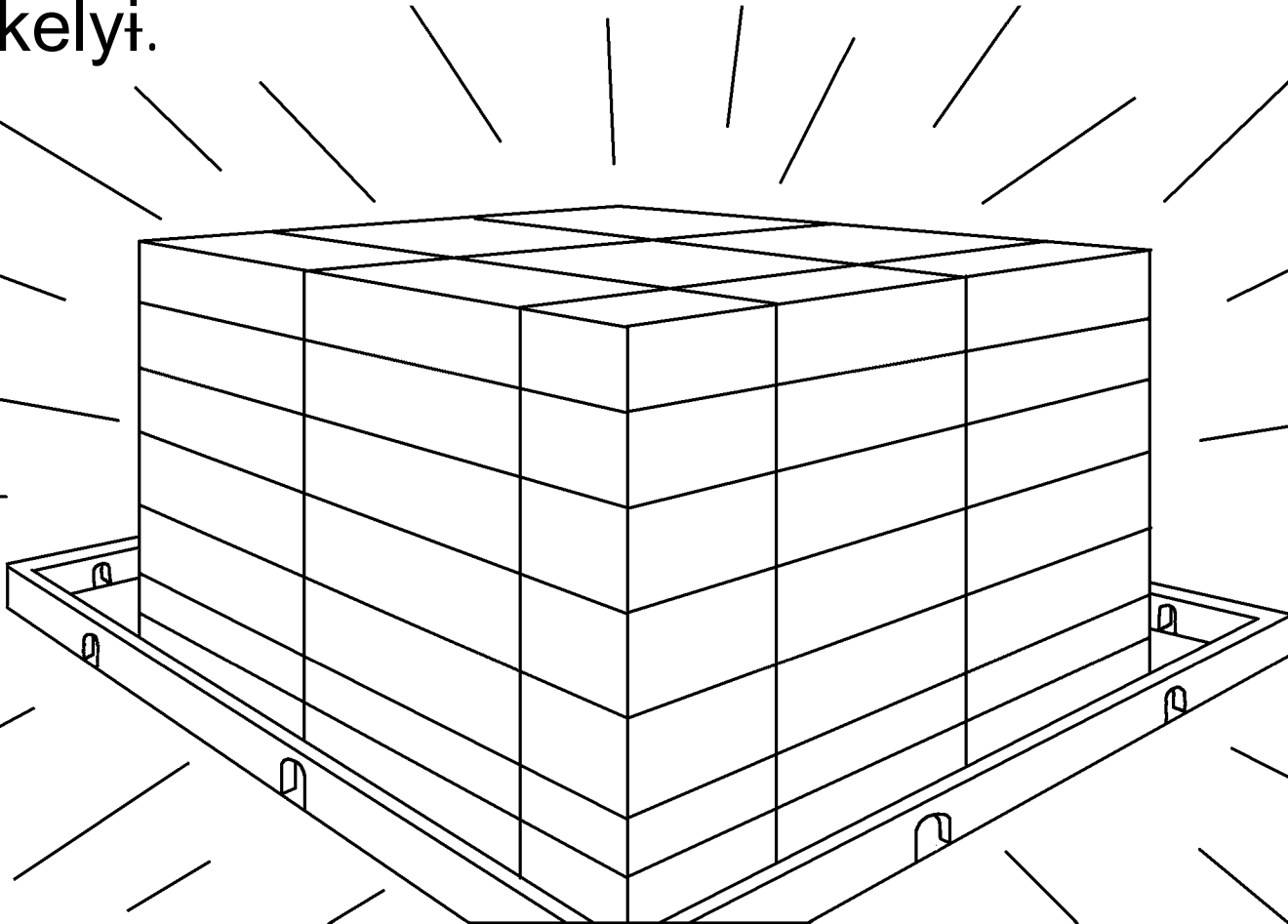
ye'mwannamwaaladelyi."



Nabaai ejeliya dazai aalya naange' walyivanika pirivina  
niminyi yibwaridaakuna. Aalya daza' aalya gaala'ne sa'  
yuna sinimwavananya'bi' aaiziya'bi' kimihita  
yadaa'nyiya'. Yi aalya daza' Gotiyalyi Sipizipiya  
Diwinyalyi sanidaare kinginamwaalyita savidaa'nyi  
yima'naka anga naanga dazabanna tutaanya naangevi  
tinnyaba walyuna.



Nabaai anga naanga dazaba wanyiwanya ya'na nyilyalyi lawelyi saraarina wigainadeva mi'. Sare' dare'nesi. Wanyiwanya yune naanga Gotiyare'na wannadevanna anga saba. Yi gamire byaannya' wannadeva. Nabaai Diwinyai sahibanne wanyiwanya di'baakelyi.



Gilyivita giri'naka aane piri' kiri' wilade' mi'. Gotiyare  
tinnyari wana butirinya winnikebwi yade aane pwai kwai  
aane piri' kiri'  
wiladei mi'. Kwaasi yagaala  
yade aane piri' kiri' aane  
pwai kwai wiladei mi'.  
Arikewi. A'mwe kumire  
yaya bukuya  
gaalya'nyiri Diwinyare  
bukuyiri yida'nikera,  
yune a'mwe  
dazahwarana wibi'dere  
anga naanga dazabanna.



"Kumire kidalaaibirika tinnyaraavi  
wiwarike gazasa' yaalika  
yimwagathere. Baryabwi ayahi  
waradevwi mi'. Yi a'mwera ayahi  
baibi'dera mi'. Simunya' taanga ayahi  
winadera mi'. Jakinna ayahi dipi'dera  
mi'. Daangeji maapi'dera mi'.  
Sinnawinya sa mena yuya yiwina  
yiwake'nanyi."



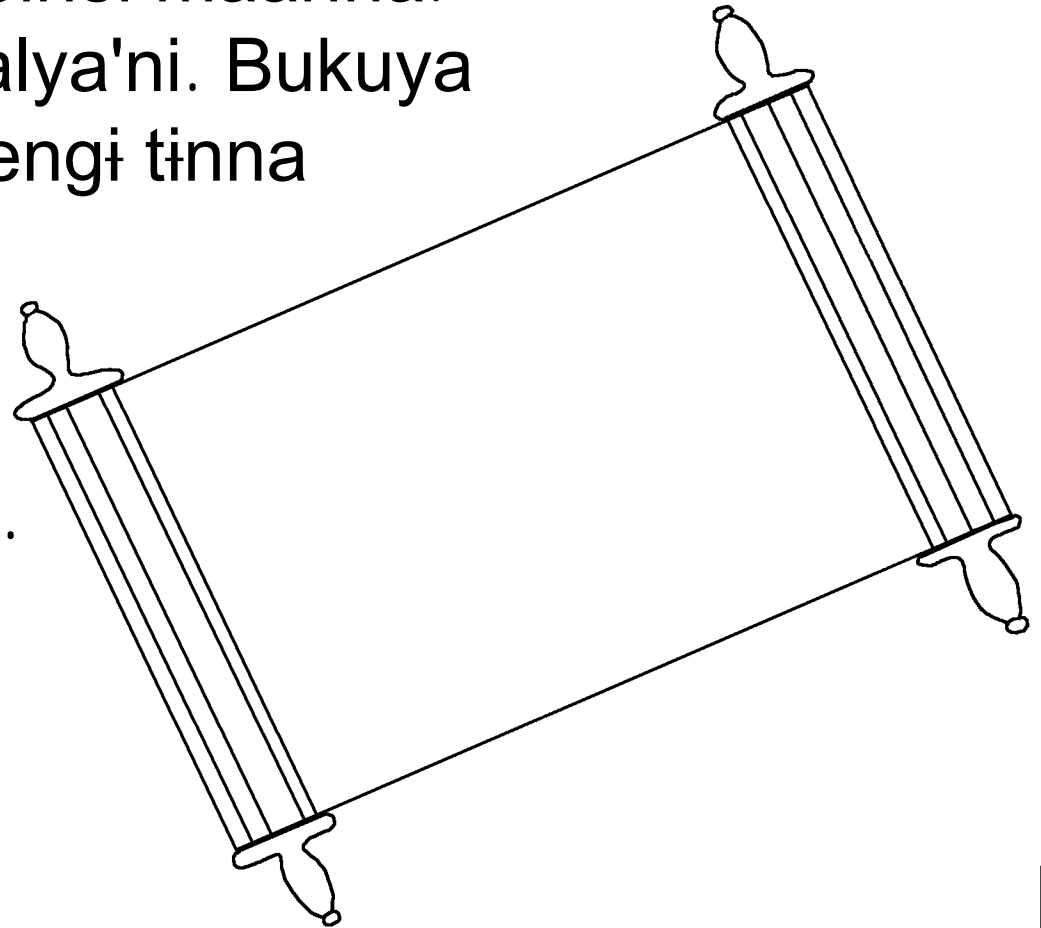
Nabaai Dikevi wimarasi'nya'ne gazasa' kunebe. Yuya daza ayina warade mi'. Gotiyalyi Diwinyalyi sanidaare kinginamwaalyisa' anga naanga dazaba waradevanyi. Nabaai Gotiyare yaasiwa'wawinyara gaminyi lotuya wimaripi'devanyi.

Nabaai gamire sinnyi' wangabi'devanyi.

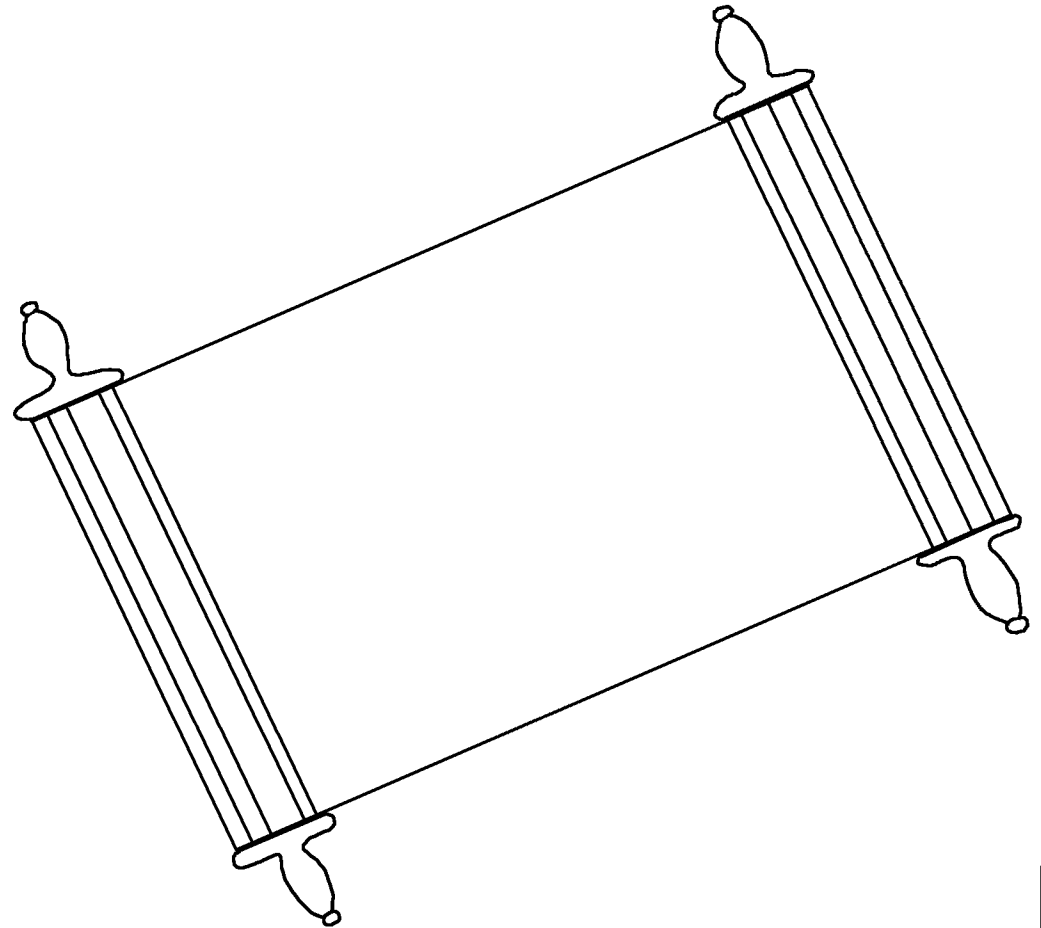
Nabaai gaminne yaya' kumire yamenginyira.



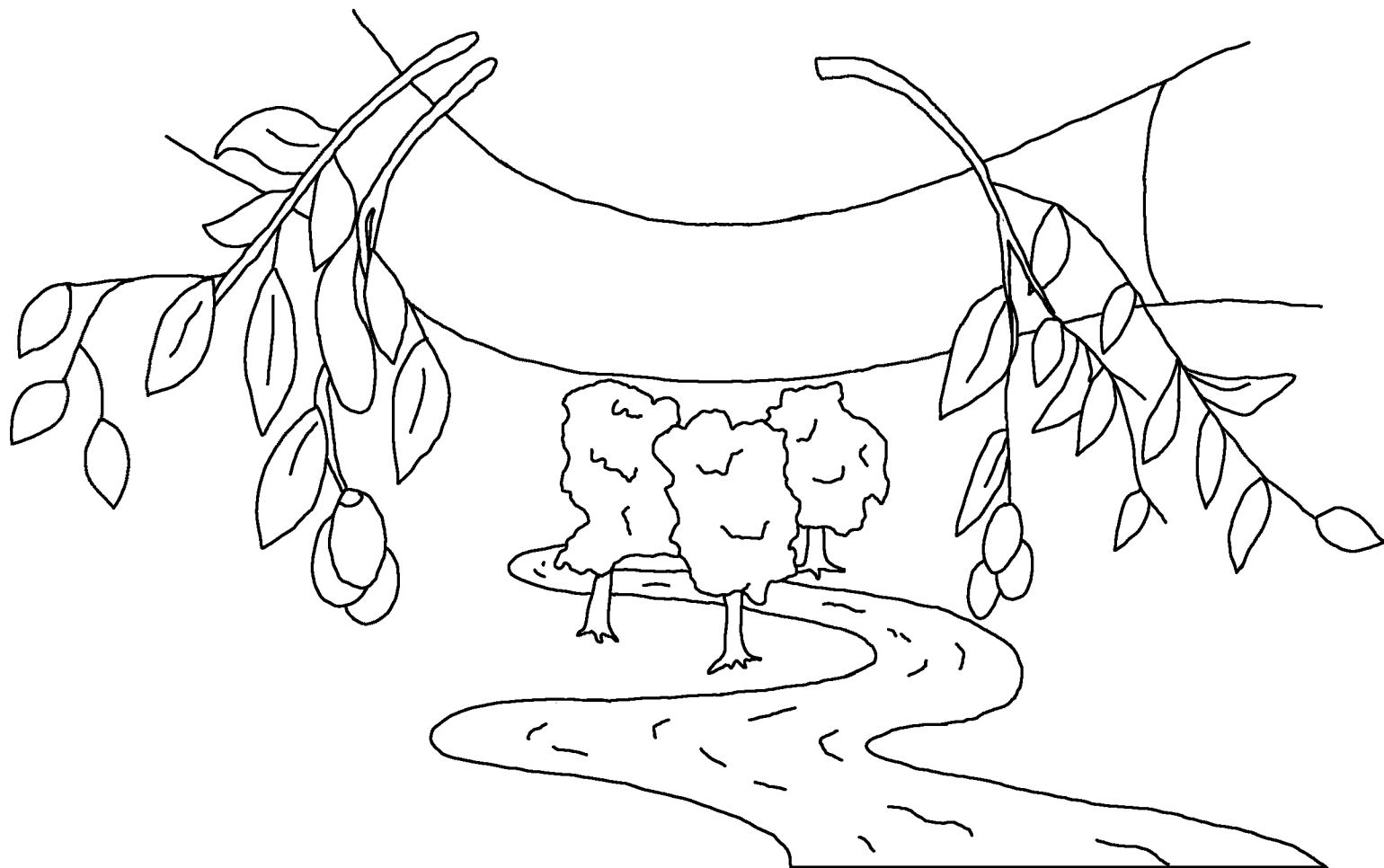
Nabaai nimi tinna wangadaazi yi a'mwe bainikera,  
kwaakewinyaraji munyabanyaraji sara mwaaidapiyara  
kinginamwaalyita dazavire kusimagi daavina. Nabaai  
namwaalyisavi yilamwaalikei sai bukuya piningi  
tilaayina. Sai bukuya pirisi maarina.  
Bukuya si gaala mwaalya'ni. Bukuya  
sangi pikarya yida'nikengi tinna  
wanganaka kumire  
yeta yuya sabwina  
a'mwe bainikeraavi  
maryawibwa'mwakere.



Nabaai Naanga maryawibwa'dei a'mwe pwarine  
kwarine yayavi bukuya gaala mwaalya'ne siri  
mabiranganyoji sarevi, yithaanyi, a'mwe sari marasi'na  
yiwa' di'bunya naanga dika nivanikevina.



Kurya Tewaanyalyi Sipiziya Diwinyare sidiraayasi  
sawaai dina "Kaaja!" A'mwei yagaala daza' wi'noji sai  
dara dana! "Kaaja!" Nabaai a'mwei aalya'na mijika  
baloji sai bana! "Aalya' nima!" yawiroji aalya gaala'ne'  
Gotiyare yanga naange' bamaarana!



Sare' dare'nesi. Kwaaka  
davakiyainaavina Gotiyari kale naanga  
kwia' Gotiyai neminyina Gawaalivaanga  
gaveri nejaavakelyi. "Gazaizai sahwari  
wilimwagaroji myiwawanna! Aawa.  
Gaala yuyagaa'nebwi  
maarana!" daka  
nejaavakelyi.



Romi 3:23 Sare' dare'nesi. Yuya a'mwera Juyaraji ajimya yuyangiyaraji wagilya'nebwi yadivisare. Gotiyai byaanna diraginyasiyaryaba menyaba mwaaihasare.

Romi 6:23 Sare' dare'nesi. Kayaa'nanya' gannya yaasiwa'wawinyaraavi kumire wawinya'ne tivikita wijaavadesi. Tivikita sa' yune naanga balya sahiri'na. Nabaai Gotiyare gaimwanga tewaanya' yange' wijaavina neyadelyi. Sa' gaala yuyagaa' yuyagaa' mwaalya'ne'na. Kiraazitiyai Jizaazai nemire Naangeri wilamwaalajavi gaala daza' nejaavade'nanyi.

Yiviru 9:27 Yi a'mweraavina gave pigaa'na balya'nebwi wari'. Nabaai kabalapiri dividaa'nyi Gotiyai sahwaravi maryawibwaradevaabi'



Yiviru 9:28 Kiraazitiyai yune gave pigaa'na a'mwe kwalaalyaraavire kayaa'nanyanna makwiya'nei gami sari yira'divisa'bisari Gotiyarina wijaavinakelyi. Nabaai divi pigasaai sahwai bwalyi'mavadelyi. Kiri' sai sagaa' kayaa'nanya marasi'nya'nei ayina baladei mi'. Aawa.

A'mwera "Sahwai walaabana!" dadivi' yemwaaimanigasaraavi nebulya'na yune'na padaihasamaarya'nei ku'maayaba yima'naabathelyi.

Epazaazi 2:8,9 Sare' dare'nesi. Gotiyai sariminyi yange'na tewaanna yihigaimwadevina Kiraazitiyari limwadivisa'na yihivadaihasamaarakeihilyi. Sarimi wawinya yina yadivisa'na yihivadaihasamaarakeihi mi'. Aawa. Sahware sihumalesira. Sare' Gotiyai yawi'na "A'mwe pwai kwai dara nadathika! 'Wawinya diraginna kye Gotiyai nyivadaihasamaarakeinyi. Tewaanyainyi,' yawi'na yaka sahwai yange'na nevadaihasamaarakesi.



Romi 10:9,10 Gimire maangisi ku'maayaba "Jizaazai sai Naangelyi," jalikurakya yija'naji nabaai gimire simunyavi dara limwadiza'naji "Gotiyai sahwari bainikeraayawi ayina yidikaavakelyi," Gotiyai givadaihasamaardeiginyi. Sare' dare'nesi. Gazaizai gannya simunyasi kalimwagozi Gotiyai "Yida'maraangeigi nimiriginyi gimwaaihiwa," widathelyi. Yi gannya maangisi kajalikurakozi Gotiyai wivadaihasamaaradelyi.

Joni 3:16,17 Sare' dare'nesi. Kwaaka davakiyainaavina Gotiyari kale naanga kwia' Gotiyai neminyina Gawaalivaanga gaveri nejaavakelyi. "Gazaizai sahwari wilimwagarozi myiwawanna! Aawa. Gaala yuyagaa'nebwi maarana!" daka nejaavakelyi. Sare' dare'nanyi. Gotiyai dina "Nyibwaalivaangei a'mweraavi kotiya'na maryawibwaradela!" daka myasaabya'. Aawa. "Nyibwaalivaangeri a'mweraavina padaihasamaata yima!" daka kwaaka davaki yasaabina ya' Gotiyai.



1 Joni 5:11-13 Jalikurakya daresi. Gotiyai yuyagaa' yuyagaa'ne gaalya'nebwi nejaavakesi. Gaalya'ne saburi kaavilya' Gawaalivaangeri wilawiarika. Sarevidaa'nyi Gawaalivaangei kininnakei gaalya'ne sabwi kininnakelyi. Gotiyare Gawaalivaangei maayai gaalya'ne sabwi maayalyi. Yagaala daza yihithawasiwaabe. Gotiyare Gawaalivaangeri limwadiwisaihi " 'Yuyagaa' yuyagaa'ne gaalya'ne sabwi kininnakeine,' dipika!" dena yihithawasiwaabe.



Joni 14; 2 Koridi 5;  
Wijalangasakya ' 4, 21, 22

Storyline by: Edward D. Hughes

Illustrated by: Lazarus  
and Alastair Paterson

Adapted by: Sarah S.

Yipma NT (byr) © 2013, Wycliffe Bible Translators, Inc. All  
rights reserved.

<https://www.bible.com/ur/bible/994/MAT.1>

©2025 Bible for Children, Inc.

[www.M1914.org](http://www.M1914.org)

[www.bibleforchildren.org](http://www.bibleforchildren.org)

