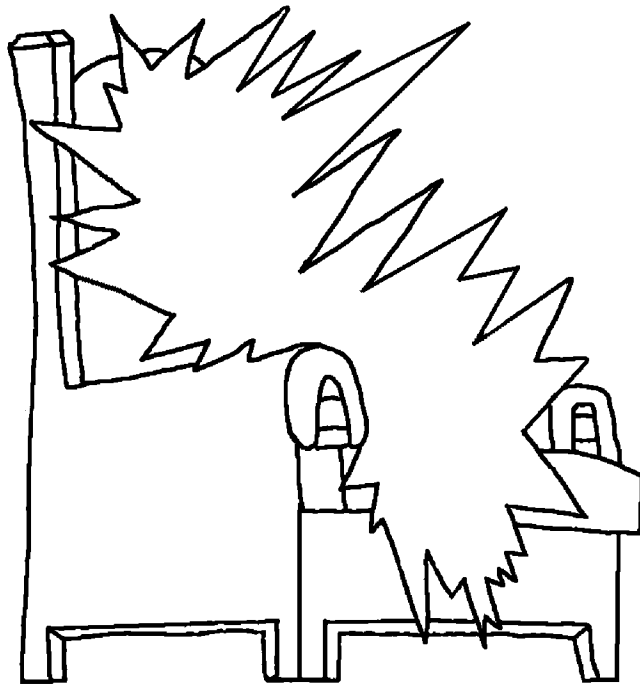
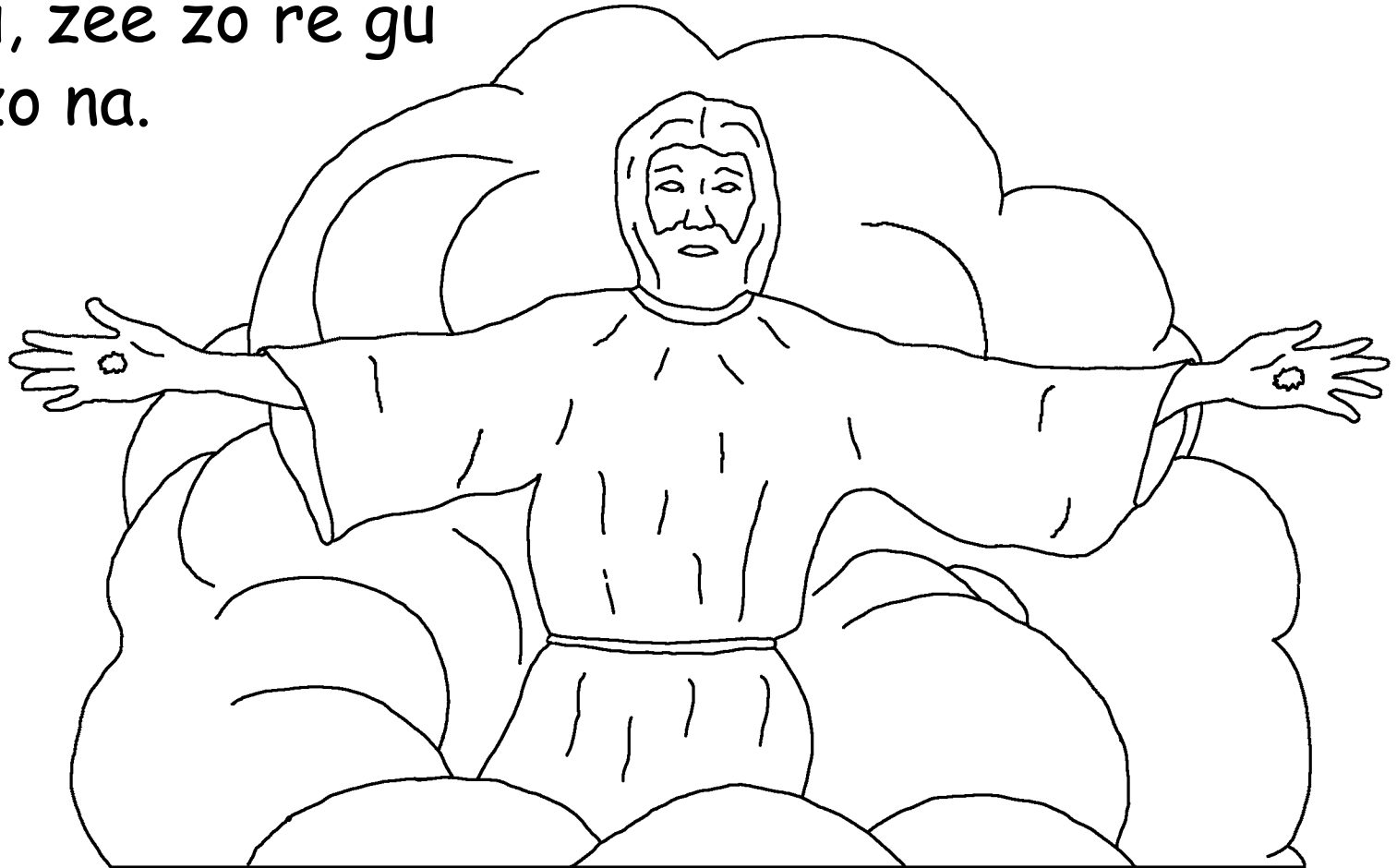


[www.BibleForChildren.org](http://www.BibleForChildren.org)

Juan 14



'Nalenalest gu lextoo gu. Ngwii gu lo Dios noka bwii gu lo na. Lee garli Xuz na nzho zyen doo pa yo xaa; nu chol nanakta snee, nangniit naya lo gu; nu nya na dexkwaa na tub pa yo gu. Nu gorna yilo nya na dexkwaa na pa yo gu, zee bare na stub welt yaadxii na gu, zee zo re gu pa nzo na.



Na nak Juan, xaa nak wech rese gu. Lal nded re  
be bid zee lal kayaa be pa nabeyy Dios, nel  
lal nyela be nzo be lo Jesucrist. Nel

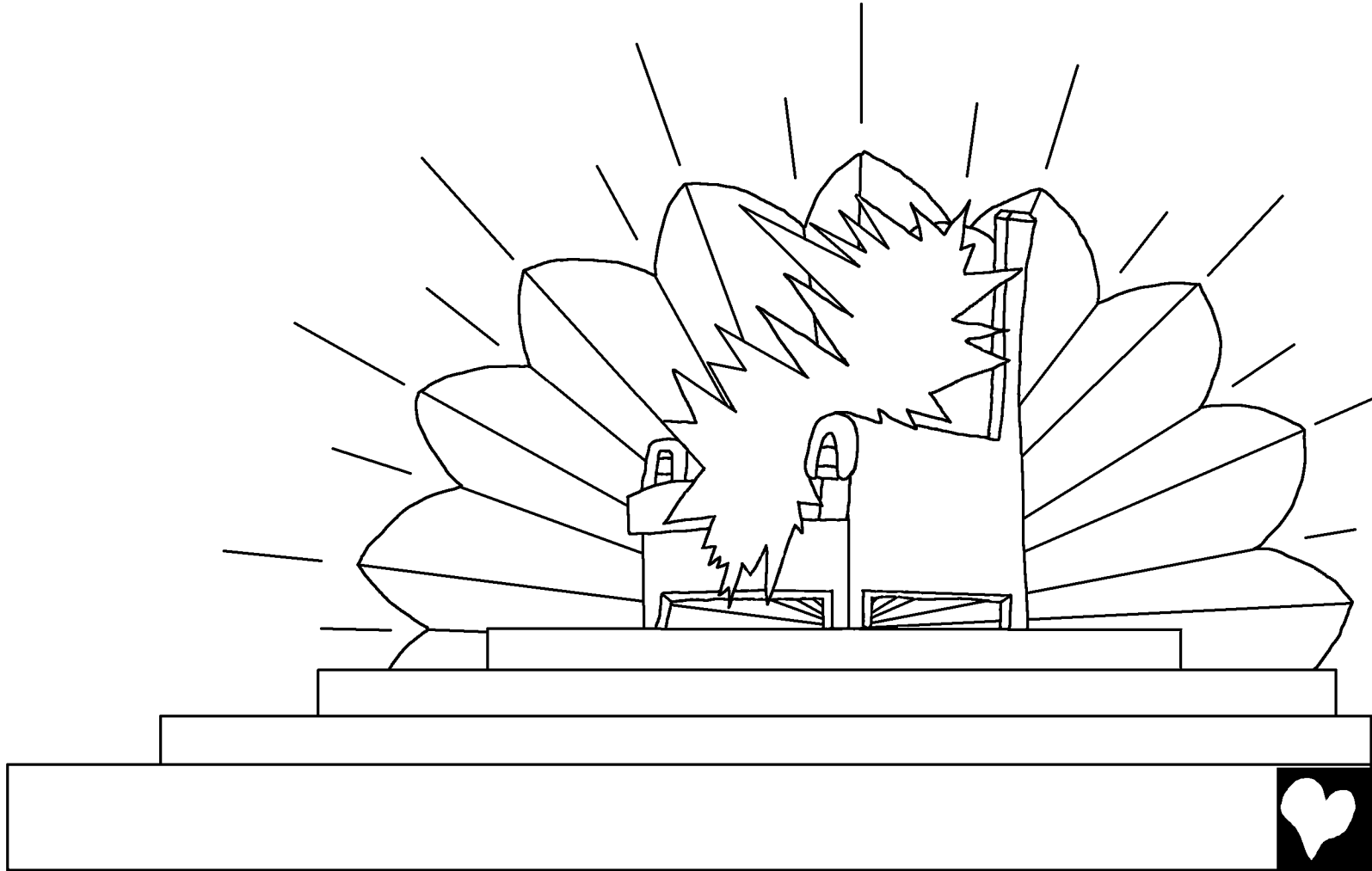
xtizh Dios cheen Jesucrist nza na kwent,  
zee mzo re xaa na mod



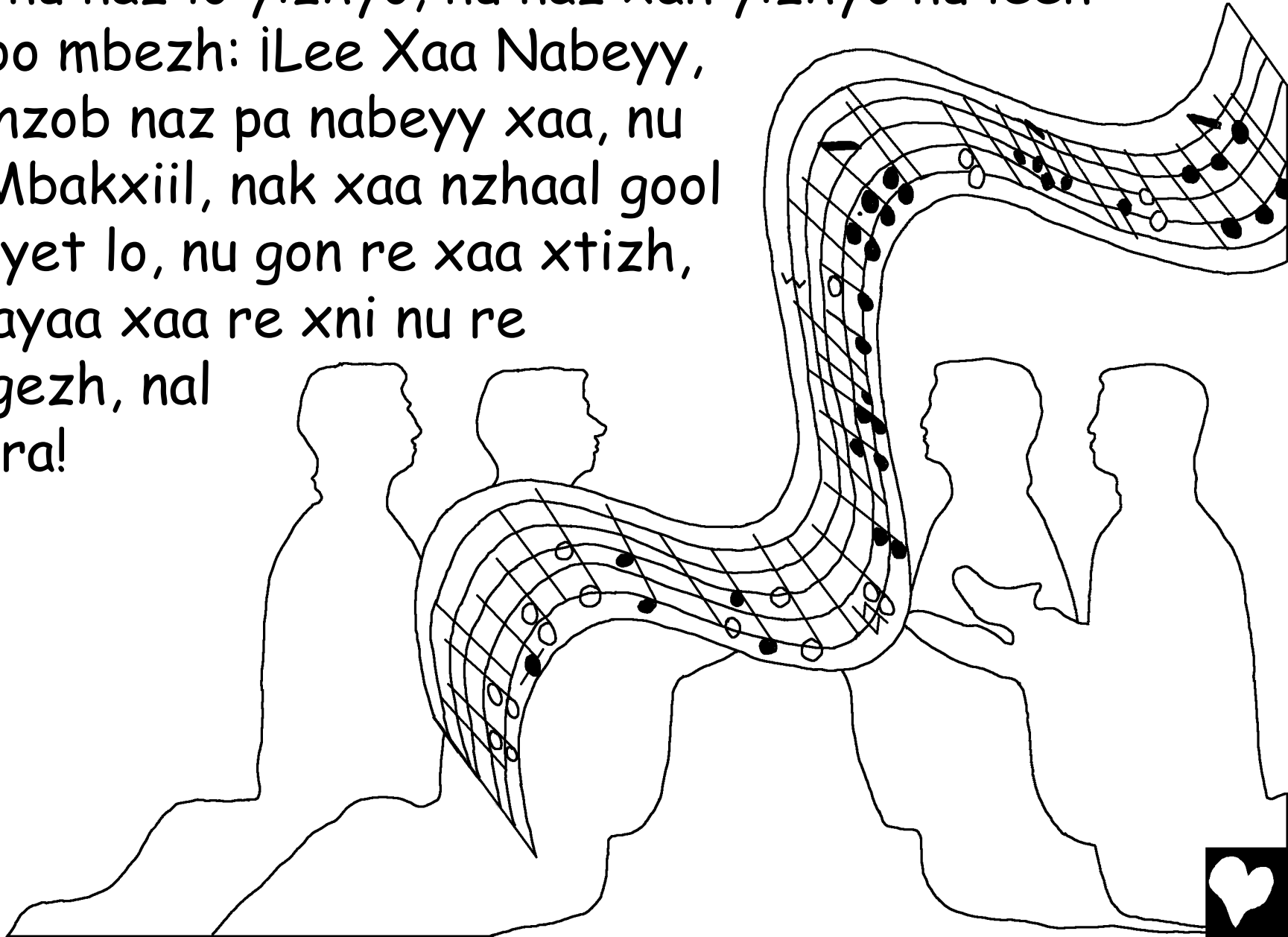
tub xaa nzho lozhyib  
leen tub lee yizhyo  
kwaan nzho xsaww  
nistoo, tub yizhyo  
kwaan le Patmos.



Nu gorzeetlaka lee Mbi Naban  
mbe na, nu myun Dios lo na,  
nzob naz pa nabeyy xaa.

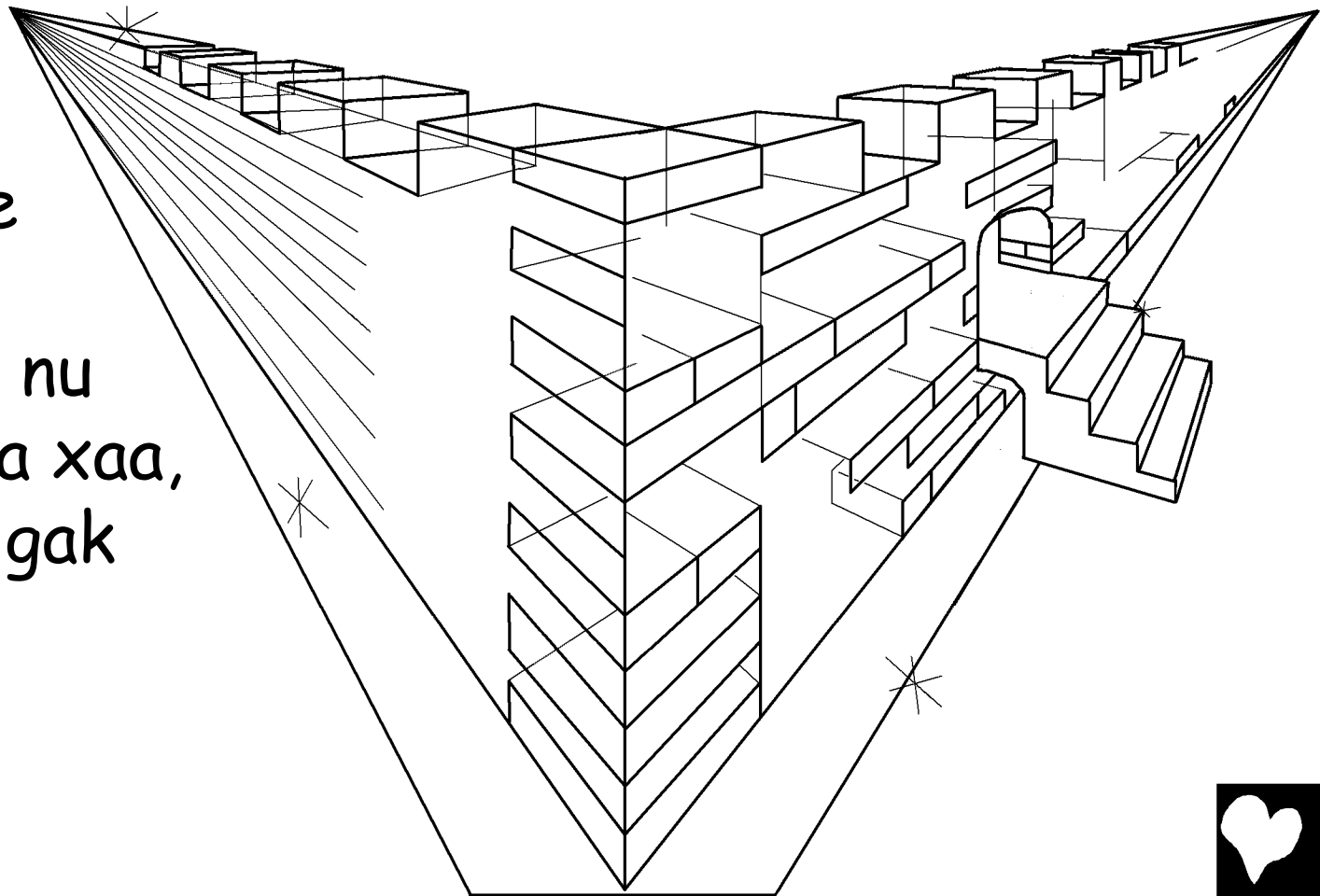


Nu noka mbin na rese kwaan mdexkwaa Dios naz leen  
yiba nu naz lo yizhyo, nu naz xan yizhyo nu leen  
nistoo mbezh: iLee Xaa Nabeyy,  
xaa nzob naz pa nabeyy xaa, nu  
lee Mbakxiil, nak xaa nzhaal gool  
re myet lo, nu gon re xaa xtizh,  
nu kayaa xaa re xni nu re  
yalngezh, nal  
nu tira!

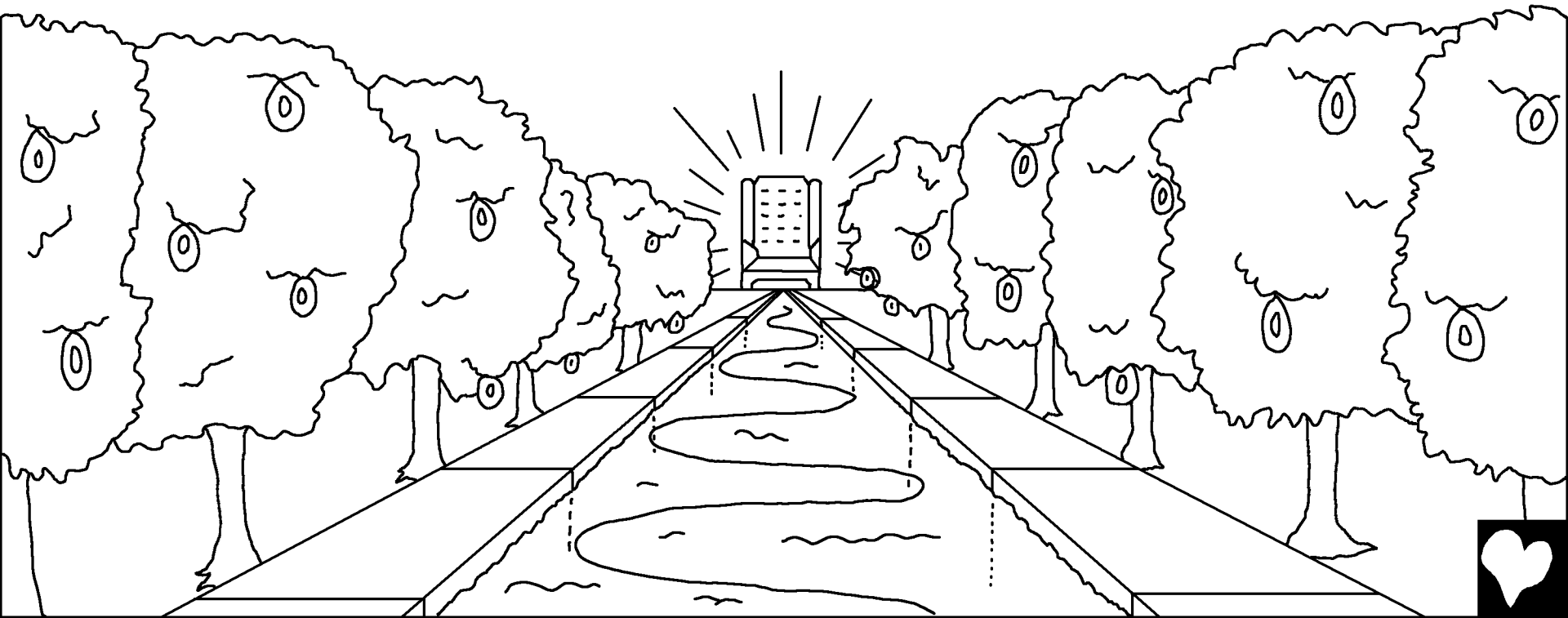


Nu myun yezh nambey lo na, kwaan nak Jerusalén kub, kwaan mroo lo Dios nyaadla naz yiba. Chul nluya mod tub ngwnaa chul ndexkwaa xab, me listla nzo chelya nu me listla nzo ka sa. Nu mbin na tub bos dublegan, kwaan nze naz paro nzob xaa nabeyy, nu mbezh: —Lee

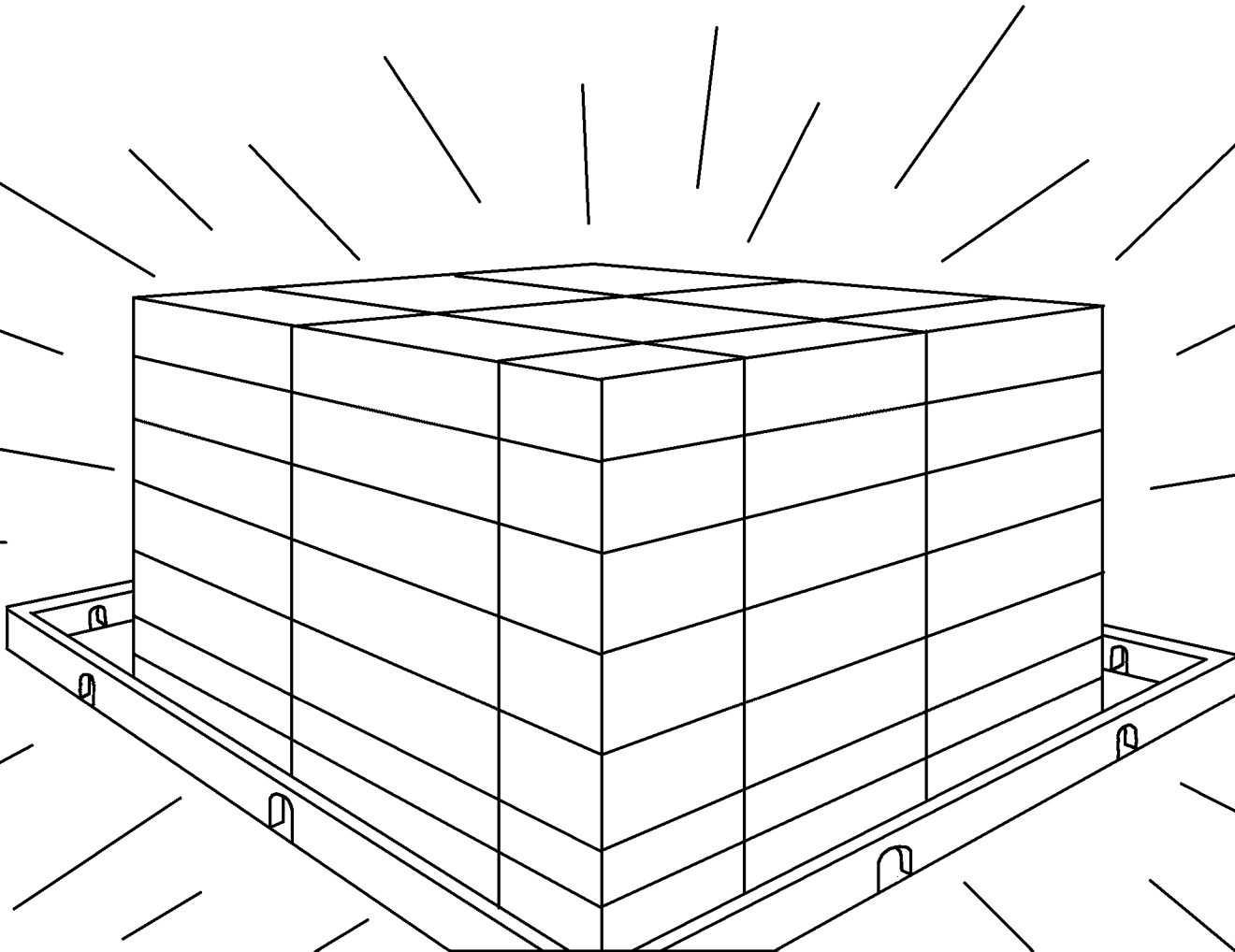
nal, lee Dios nzho kwaan re myet. Yo xaa kwaan re xaa, nu re xaa gak xaa xaa, nu leeka Dios gak Xdios re xaa.



Nu mlu xaa tub yuu cheen yalnaban lo na, kwaan nla xni mod bidr, kwaan nlen paro nzob Dios nu Mbakxiil cheen Dios nabeyy, kwaan nded xsaww naz leen yezh.



Nu lee yezh nankint mbizh nixa mbee zaa xni, nel lee xni cheen Dios nu xcheen Mbakxiil cheen Dios nzaa xni.



Nu nik tub kwaan beed  
nazeebt baa, nixa xaa  
nle kwaan nawent, nixa  
xaa nkade; nebse zeeb  
re xaa kwaan nkee le  
lo Yech cheen  
Yalnaban cheen  
Mbakxiil cheen Dios.



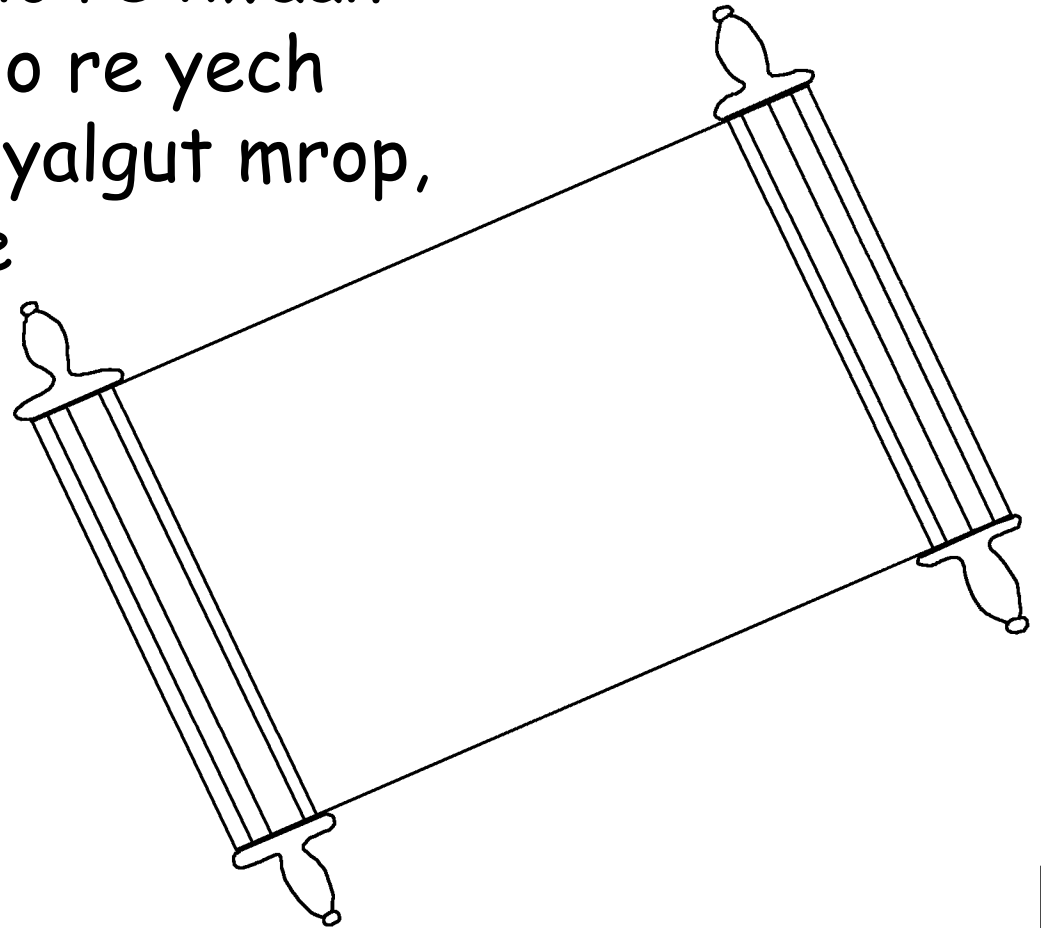
Nu lee Dios chee re nis garlo re  
xaa xaa, nu nayotra yalgut, nixa  
nagonntra re xaa, nixa nayotra  
bel, nixa yalne; nel rese kwaan  
yilo ngulola mlux.



Nu baa nayotra nik tub kwaan nawent; nu lee pa nabeyy Dios nu Mbakxiil cheen Dios zob leen yezh, nu lee re xmos xaa gool lo xaa; nu yun xaa lo re xaa nu le xaa kee lechuzh re xaa.



Nu myun re xaa ngut lo na, xaa non nu xaa nanont,  
nzo lo Dios; nu noka myun lo na lee re yech  
mxal lo. Nu noka stub yech kwaan nak  
Yech cheen Yalnaban. Nu mnaab xaa  
kwent lo re xaa ngut lo re kwaan  
mle xaa, kwaan nkee lo re yech  
yilo. Yal cheen ki nak yalgut mrop,  
nu baa mlebi xaa rese  
myet kwaan nankeet  
le lo Yech cheen  
Yalnaban.



Nu lee Mbi Naban nu sa Mbakxiil cheen Dios né:  
—Te. Nu lee xaa nkenzha kwaane, guzh: —Te. Nu lee  
xaa nzhek lextoo nu nzhekla go nis, nii na lo xaa:  
—Te, zee sbaasa go lu nis kwaan nzaa yalnaban.



Nu mkedoola Dios rese xaa yizhyo  
ne, zee mxaal xaa Xgann xaa, xaa  
techosa lo xaa, zee loka xaa tubka  
wii lo xaa nayeta xaa, sinka le xaa  
gan yalnaban kwaan tira.



Romanos 3:23 Rese myet mle jwalt nu tira nanalit nzo xaa lo Dios.

Romanos 6:23 Lee kwaan le be gan lo kwaan nawent nak yalgut, per lee kwaan nzelazh Dios lo be nak yalnaban kwaan tira, nel tubka nzo be kwaan Jesucrist, Xaa Nabeyy be.

Hebreos 9:27 Nu nii na, rese xaa yet tub welt, nu gwluzh naab Dios kwent,

Efesios 2:8,9 Nu mlu Dios yalnkala cheen xaa lo be leezha mzaa xaa yalnaban kwaan tira lo be, xaa ngwii lo Jesucrist. Nu kwaane nanakt tub kwaan mle be gan, leeya nak tub kwaan sbaasa mzelazh Dios lo be. Nu nixa nanakta tub kwaan mle be gan lo re kwaan nle be, kwaanzee nik tub be nanzhaalt to yalxwa lo kwaan nle be.



Romanos 10:9,10 Nel chelee lu kwaan roo lu mbezh lu lee Jesucrist nak Xaa Nabeyy lu, nu kwaan lextoo lu ne lu lee Dios mseban Jesucrist, zee le lu gan yalnaban kwaan tira. Nel leezha nle lu krer kwaan dub lextoo lu lee Dios mseban Jesucrist, sbaa gak lu tub xaa nali lo xaa, nu leezha mbezh lu lee Jesucrist nak Xaa Nabeyy lu, zee le lu gan yalnaban kwaan tira.

Juan 3:16,17 Nu mkedoola Dios rese xaa yizhyo ne, zee mxaal xaa Xgann xaa, xaa techosa lo xaa, zee loka xaa tubka wii lo xaa nayeta xaa, sinka le xaa gan yalnaban kwaan tira. Nel mxaal Dios Xgann Dios yizhyo ne, nu nanakta nel naab xaa kwent lo re myet, sinka mxaal xaa xaa zee lee re myet le gan yalnaban kwaan tira.



1a de San Juan 5:11-13 Nu kwaan nzaa Dios kwent nak:  
Dios mzaa yalnaban kwaan tira lo be, nu yalnaban ne  
nzeno Xgann xaa. Loka xaa ngwii lo Xgann Dios nkano  
yalnaban kwaan tira. Nu loka xaa nangwiit lo Xgann Dios  
nankanot xaa zee yalnaban kwaan tira. Kakee na kwaane  
lo re gu, xaa ngwii lo Xgann Dios, zee ne gu lee gu nkano  
yalnaban kwaan tira nanluxt.



Juan 14; 2a de Corintios 5; Apocalipsis 4, 21, 22

Storyline by: Edward D. Hughes

Illustrated by: Lazarus  
and Alastair Paterson

Adapted by: Sarah S.

Zapotec Amatlan NT (zpo) © 2002, Wycliffe Bible  
Translators, Inc. All rights reserved.

<https://live.bible.is/bible/ZPOTBL/MAT/1>

©2026 Bible for Children, Inc.

[www.M1914.org](http://www.M1914.org)

[www.bibleforchildren.org](http://www.bibleforchildren.org)

